

Standard Metal Products Mfg.

DAMPERS & LOUVERS FOR THE HVAC INDUSTRY

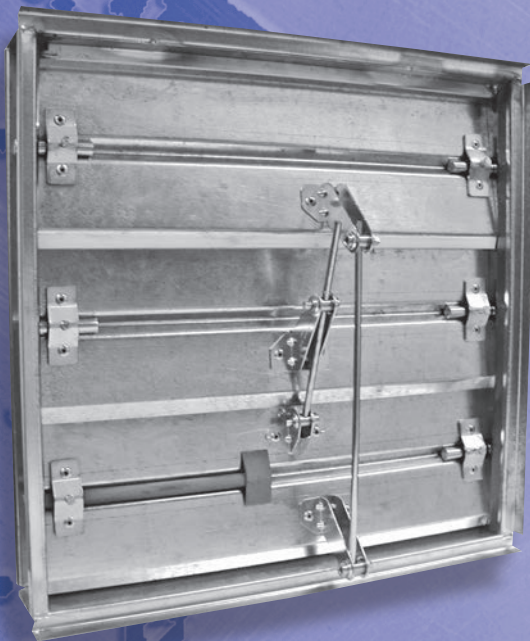
WWW.SMPMFG.COM

When Time is Everything . . . We Manufacture in Days - Not Weeks!

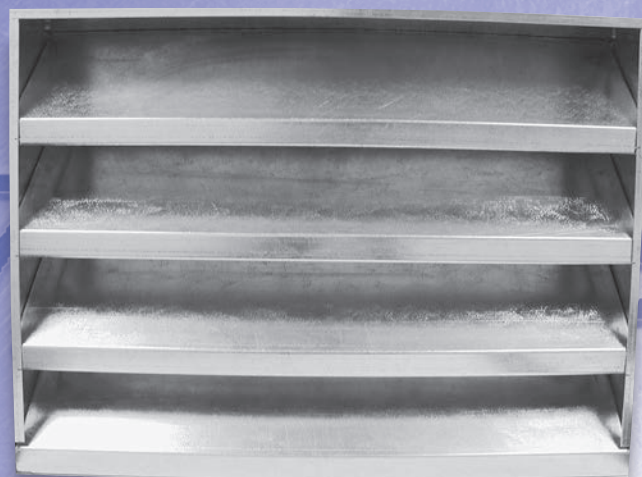
DAMPERS

ACCESS DOORS

LOUVERS



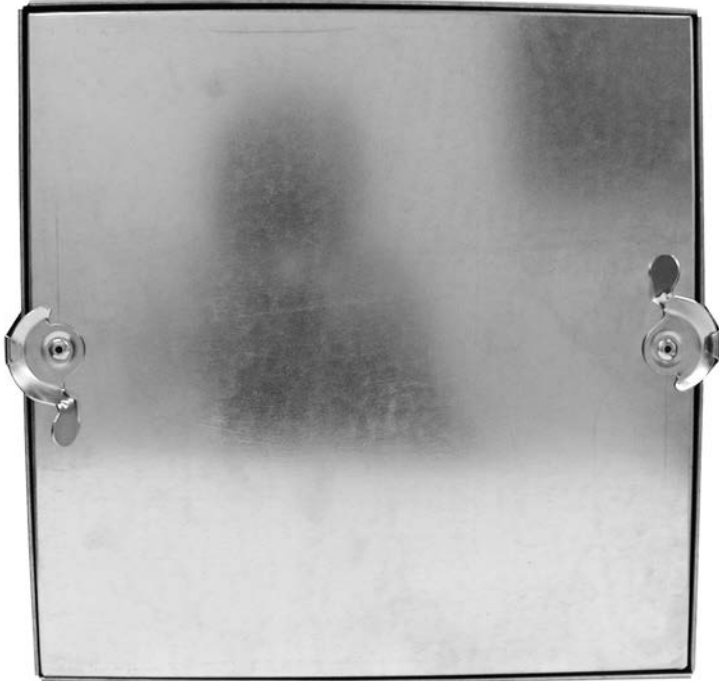
**July
2014**



Specializing In Products For The HVAC Industry

763-783-7173 • fax: 763-785-6977 • 1-800-297-9360

MODEL: AD Insulated Access Door



Yellow Label Access Doors



Also Available: Stainless Steel
 Aluminum
 Hinged

Call for pricing

Specifications:

Frame: 24 Ga. Galv.
Door: 6" to 12" 24 Ga. Galv.
 14" to 24" 22 Ga. Galv.
Insulation: 1" Fiberglass
Cam Locks: Zinc Plated

6" thru 14" 2 cam locks
16" thru 24" 4 cam locks
Gasket: 1/8" x 1/2" Neoprene

Call for Information

Stock Size	Price Each
6 x 6	10.20
8 x 8	10.95
10 x 10	11.75
12 x 12	13.25
14 x 14	16.35
16 x 16	19.40
18 x 18	25.40
20 x 20	26.30
24 x 24	30.00



Standard Metal Products Mfg. LLC

DAMPERS & LOUVERS FOR THE HVAC INDUSTRY

WWW.SMPMFG.COM

P.O. Box 32610 • Minneapolis, MN 55432 • 763 - 783 - 7173 • fax: 763 - 785 - 6977 • 800 - 297 - 9360

Prices Subject
to Change
Without Notice

MODEL: OBN or PBN *Opposed or Parallel Not Sealed*



Parallel Blade Damper

Adds to Price List:	Multipliers
Stainless Steel	Call for Pricing
Aluminum	Call for Pricing
Extra Blades	\$20.00 Each
Quadrants	\$4.00 Each

All damper sizes are 1/4" smaller both ways

Minimum Order \$63



Blade Length - In Inches

Height in Inches	6-18	19-24	25-30	31-36	37-42	43-48
6-11	\$63	\$68	\$72	\$77	\$81	\$85
12-18	\$73	\$80	\$87	\$94	\$101	\$108
19-24	\$88	\$95	\$104	\$113	\$121	\$130
25-32	\$102	\$113	\$124	\$135	\$146	\$157
33-40	\$127	\$139	\$151	\$163	\$175	\$190
41-48	\$155	\$168	\$181	\$195	\$210	\$225

Dampers larger than 48 x 48 can be calculated by group of multiples.
Jack Shafting available on dampers over 48"



Standard Metal Products Mfg. LLC

DAMPERS & LOUVERS FOR THE HVAC INDUSTRY

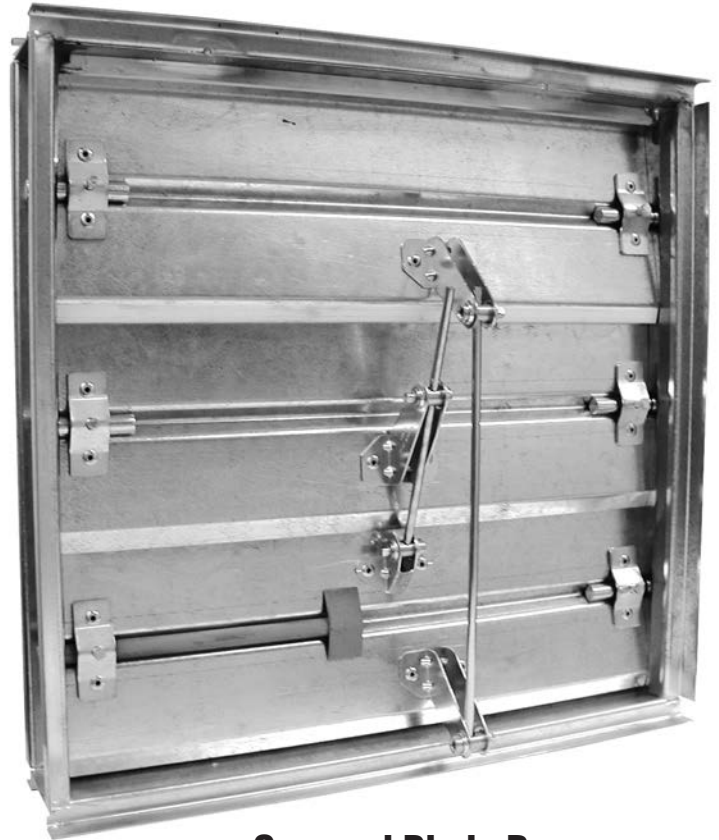
WWW.SMPMFG.COM

MODEL: OBS or PBS *Opposed or Parallel Sealed*

Adds to Price List:	Multipliers
Stainless Steel	Call for Pricing
Aluminum	Call for Pricing
Extra Blades	\$20.00 Each

All damper sizes are 1/4" smaller both ways

Minimum Order \$75



Opposed Blade Damper

Belimo Actuators in Stock for Immediate Shipment

<i>Blade Length - In Inches</i>						
Height in Inches	6-18	19-24	25-30	31-36	37-42	43-48
6-11	\$75	\$80	\$85	\$90	\$95	\$100
12-18	\$91	\$98	\$106	\$114	\$123	\$132
19-24	\$106	\$117	\$128	\$140	\$152	\$165
25-32	\$126	\$140	\$155	\$169	\$183	\$200
33-40	\$156	\$170	\$185	\$200	\$215	\$235
41-48	\$187	\$204	\$220	\$238	\$255	\$275

Dampers larger than 48 x 48 can be calculated by group of multiples.
Jack Shafting available on dampers over 48"



Standard Metal Products Mfg. LLC

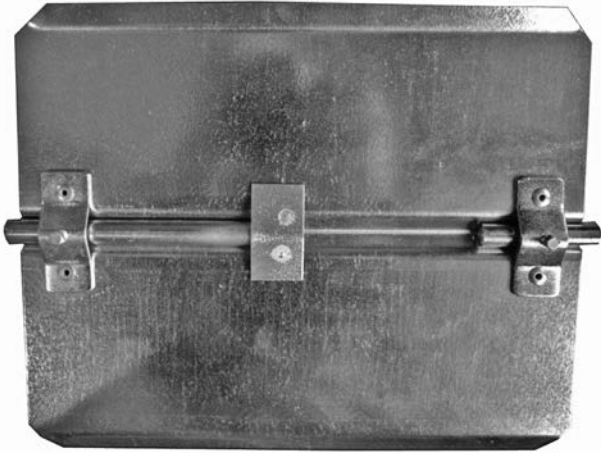
DAMPERS & LOUVERS FOR THE HVAC INDUSTRY

WWW.SMPMFG.COM

P.O. Box 32610 • Minneapolis, MN 55432 • 763 - 783 - 7173 • fax: 763 - 785 - 6977 • 800 - 297 - 9360

Prices Subject
to Change
Without Notice

MODEL: SBD Rectangular Single Blade Dampers



Quadrants

\$4.00 each

Per Sq. In. (length x width)

.09¢ (\$13.00 min)

Specifications:

16 Ga. Galvanized Blade

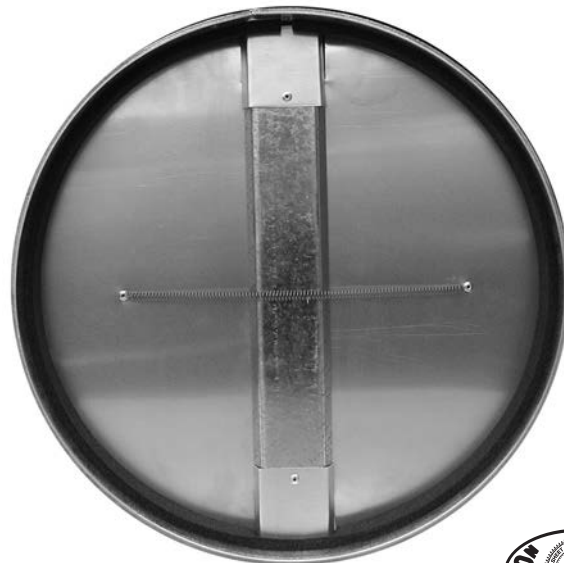
1/2" Round Plated CRS Rod



YELLOW LABEL

MODEL: RBD Round Back Draft Damper

8" - 10" RD	\$85.00
12" - 14" RD	\$100.00
16" - 20" RD	\$120.00
22" - 24" RD	\$150.00
26" - 30" RD	\$200.00
32" - 36" RD	\$250.00



The Round Back Damper is undersized 1/4" to fit inside the pipe. Attached to the .025 aluminum butterfly style blades is a spring closure that seals the blades up tightly against neoprene gasket.



YELLOW LABEL



Standard Metal Products Mfg. LLC

DAMPERS & LOUVERS FOR THE HVAC INDUSTRY

WWW.SMPMFG.COM

RSBN or RSBS Round Single Blade Dampers

RSBN Round Single Blade Non-Sealed

RSBS Round Single Blade Sealed



6" - 14" RD \$70.00
16" - 20" RD \$85.00

6" - 14" RD \$85.00
16" - 20" RD \$105.00

Standoff Quadrants \$12/each

RSBN or RSBS Round Opposed Blade Damper

ROBN Non-Sealed Prices

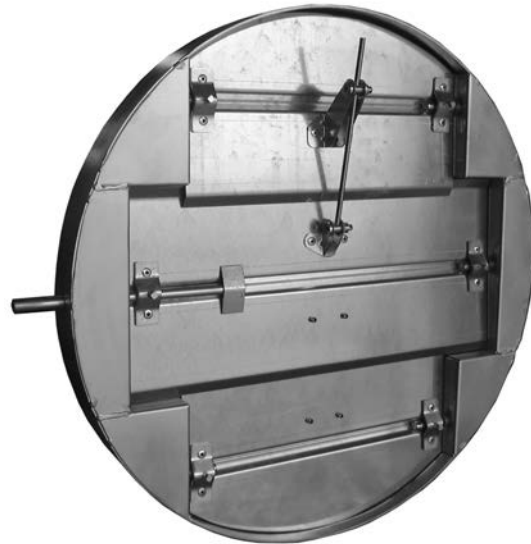
Size	# Blades	Price
16" - 18" RD	2 Blades	\$175.00
20" - 30" RD	3 Blades	\$225.00
32" - 40" RD	5 Blades	\$300.00
42" - 44" RD	5 Blades	\$350.00
46" - 48" RD	7 Blades	\$450.00

ROBS Sealed Prices

16" - 18" RD	2 Blades	\$225.00
20" - 30" RD	3 Blades	\$300.00
32" - 40" RD	5 Blades	\$375.00
42" - 44" RD	5 Blades	\$450.00
46" - 48" RD	7 Blades	\$550.00

(All Damper Sizes 1/4" Smaller)

ROBN Round Opposed Blade Non-Sealed Damper



Standoff Quadrants \$12/each



Standard Metal Products Mfg. LLC

DAMPERS & LOUVERS FOR THE HVAC INDUSTRY

WWW.SMPMFG.COM

P.O. Box 32610 • Minneapolis, MN 55432 • 763 - 783 - 7173 • fax: 763 - 785 - 6977 • 800 - 297 - 9360

Prices Subject
to Change
Without Notice

MODEL: BDD Backdraft Damper (Low Velocity)

(BDD) Backdraft Damper

Minimum Price: \$75.00/each

Note: All sq.ft. pricing is figured on length times height rounded to the next full inch.

Backdraft Damper base price per square foot.	\$28.00
Flanged Model per square foot.	\$33.00
Add per unit for Spring loaded or Counter Balanced.	\$15.00



Note: All dampers are 1/4" smaller both ways.
All Backdraft dampers larger than 36"x36" will be sectioned

MODEL: MVBD Medium-Velocity Backdraft Damper

(MVBD) Med-Vel Backdraft Damper

Minimum Price: \$80.00/each

Note: All sq.ft. pricing is figured on length times height rounded to the next full inch.

MVBD: Base Price per square foot. \$34.00



Note: All dampers are 1/4" smaller both ways.
All larger dampers will be sectioned.



Standard Metal Products Mfg. LLC

DAMPERS & LOUVERS FOR THE HVAC INDUSTRY

WWW.SMPMFG.COM

MODEL: BDD Backdraft Damper

Description:

The BDD dampers offer back draft protection in light duty applications. The damper frame is a 16ga welded galvanized construction that is undersized 1/4" to fit inside the duct. The .025 aluminum blades are attached to the frame with 1/4" round plated rod and bronze bushings. The stamped aluminum brackets and linkage keep the blades operating together and the felt blade stops provide for quiet operation.

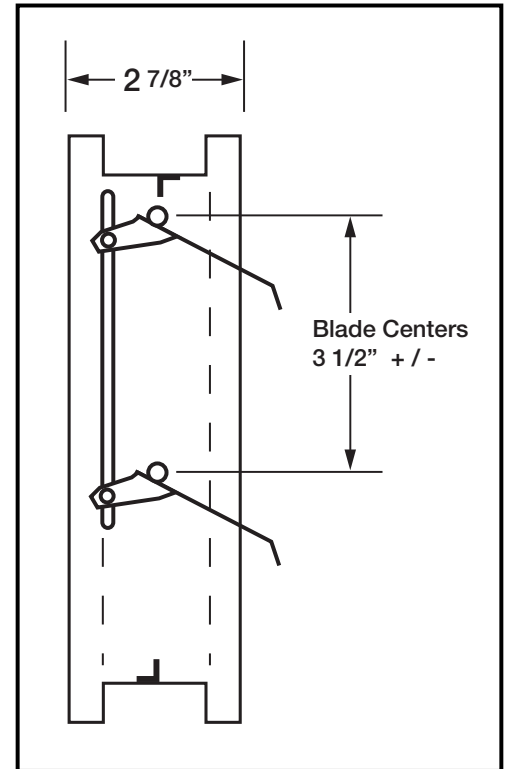
Standard Construction:

List dampers duct size (WxH) width x height - all dampers will be 1/4" smaller both ways

Frame:	16ga galvanized Hat channel – welded construction
Frame dimensions:	2-7/8" Hat channel (11/16 x 5/8 x 1-1/2 x 5/8 x 11/16)
Blades:	Formed .025 3003 aluminum (3-1/2" +/-)
Bushings:	1/4" bronze oilite
Rod:	1/4" round CRS plated
Seals:	1/16" x 1/2" felt strips on blades
Linkage:	.032 3003 aluminum brackets/.063 linkage
Maximum Velocity:	1000 FPM
Maximum Size:	36"x36" – Larger sizes must be sectioned

Options:

Flange - (on in-take side or out-put side)
Counter balance
Spring load



MODEL: MVBD Med-Velocity Backdraft Damper

Description:

The MVBD damper offers back draft protection for medium duty applications. The damper frame is a welded 16ga galvanized hat channel construction. The offset .063 formed aluminum blades have felt stops to provide quiet operation and linkage is consistent to the parallel blade damper.

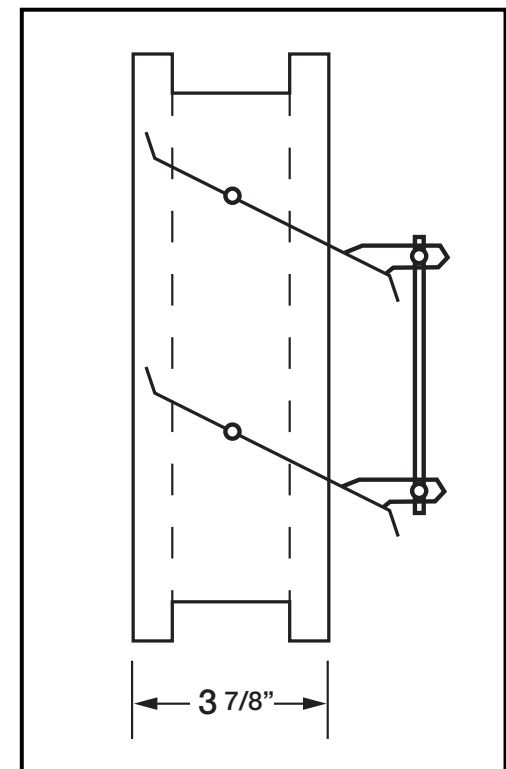
Standard Construction:

List dampers duct size (WxH) width x height - all dampers will be 1/4" smaller both ways

Frame:	16ga galvanized-hat channel-welded construction
Frame dimensions:	3-7/8" Hat channel (11/16 x 5/8 x 2-1/2 x 5/8 x 11/16)
Blades:	Formed .063 3003 aluminum
Bushings:	1/2" round bronze oilite
Axles:	1/2" x 2-1/2" CRS plated pins
Hardware:	Plated steel-brass pivots-1/4" rd plated linkage rods
Seals:	1/16" x 1/2" felt strips on blades
Maximum velocity:	3000 FPM
Maximum size:	36"x36" - Larger sizes must be sectioned

Options:

Flange – (on in-take side or out-put side)



Standard Metal Products Mfg. LLC

DAMPERS & LOUVERS FOR THE HVAC INDUSTRY

WWW.SMPMFG.COM

Prices Subject
to Change
Without Notice

MODEL: (SLB) Standard Louver Box

Galvanized or Galvanneal (Paint Grip) Minimum Price (\$80.00/each)

Box Louver 4" deep frame (Standard)	\$28.00/sq ft.
Box Louver 2" deep frame (Standard on 12" tall & under)	\$38.00/sq ft.
Box Louver 6" deep frame	\$32.00/sq ft.

Aluminum or Color Clad Aluminum Minimum Price (\$85.00/each)

Box Louver 4" deep frame (Standard)	\$34.00/sq ft.
Box Louver 2" deep frame (Standard on 12" tall & under)	\$42.00/sq ft.
Box Louver 6" deep frame	\$37.00/sq ft.



Standard is galvanized - 4" deep frame
(2" deep frame standard on 12" height and under)

MODEL: (SLF) Standard Louver Flange (with 1 - 1/2" flange)

Galvanized or Galvanneal (Paint Grip) Minimum Price (\$80.00/each)

Flange Louver 4" deep frame (Standard)	\$31.00/sq ft.
Flange Louver 2" deep frame (Standard on 12" tall & under)	\$40.00/sq ft.
Flange Louver 6" deep frame	\$34.00/sq ft.

Aluminum or Color Clad Aluminum Minimum Price (\$85.00/each)

Flange Louver 4" deep frame (Standard)	\$35.00/sq ft.
Flange Louver 2" deep frame (Standard on 12" tall & under)	\$43.00/sq ft.
Flange Louver 6" deep frame	\$38.00/sq ft.



Standard is galvanized - 4" deep frame
(2" deep frame standard on 12" height and under)



Standard Metal Products Mfg. LLC

DAMPERS & LOUVERS FOR THE HVAC INDUSTRY

WWW.SMPMFG.COM

MODELS: (SLB) Standard Louver Box (SLF) Standard Louver Flange (with 1 - 1/2" flange)

Description:

The standard SLB stationary louver is manufactured from 16ga galvanized material formed and riveted. The stationary blades are a "J" style positioned at a 45 degree angle and spaced approx. 4"+/- on center. 20ga 1/2" galvanized mesh screen is positioned on the back side of the louver.

Standard Style - Galvanized Construction: Optional: Galvanneal (Paint grip)

Order duct size WxH width x height-all louvers will be 1/4" smaller both ways.
(2" deep frame is standard on all louvers 12" height and under)

Frame:	16ga galvanized formed – 4" deep
Blades:	16ga galvanized formed – riveted to frame
Screen:	1/2" dia. 20ga galvanized expanded metal
Max. Single Section:	36"x72", 72"x36", 54"x54" (See free area chart*)
Multiple section assembly:	Unlimited

Aluminum 3003 Construction:

Frame:	.063 3003 aluminum formed – 4" deep
Blades:	.063 3003 aluminum formed – riveted to frame
Screen:	1/2" dia. .032 aluminum expanded metal
Max. Single Section:	60"x36", 48"x60"
Multiple section assembly:	Unlimited

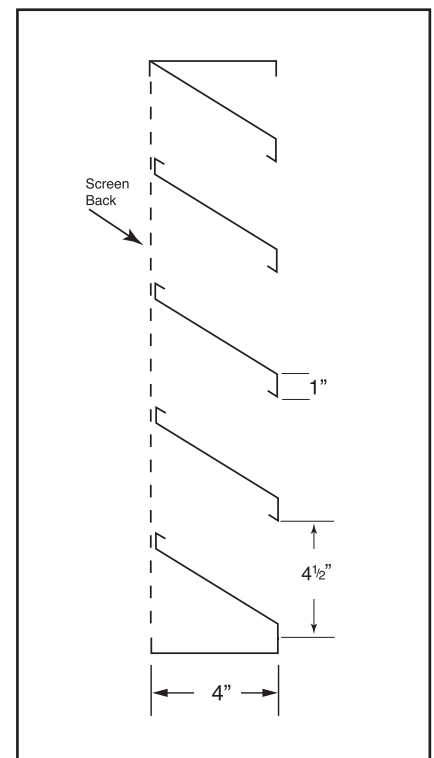
Kynar Aluminum Color Clad Construction:

Frame:	.050 aluminum color clad formed – 4" deep
Blades:	.050 aluminum color clad formed-riveted to frame
Screen:	1/2" dia. .032 aluminum expanded metal
Max. Single Section:	48"x60"
Multiple section assembly:	Unlimited

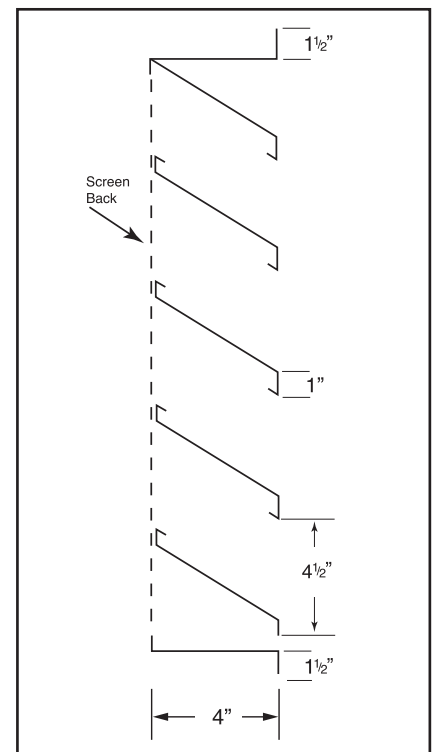
Options:

- 2" deep frame (standard on 12" height and under)
- 4" deep frame (standard)
- 6" deep frame
- Sill Extension

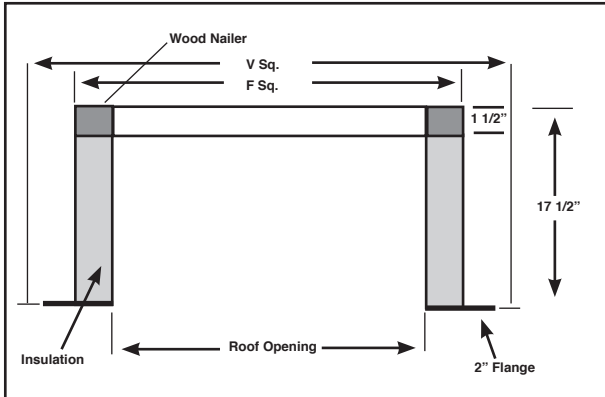
Standard Louver Box (SLB)



Standard Louver Flange (SLF)



MODEL: RC Roof Curb



Standard Construction Features

- 16 gauge galvanized steel
- 1-1/2", 3 lbs. Density thermal and acoustical insulation
- Continuously welded corners
- Wood Nailers

Options

- Damper tray
- No Wood Nailers
(deduct 1-1/2" for actual height)

Sizes that increase or decrease available.

Other sizes available.



SMP Part #	F SQ.	V SQ.	Roof Opening	Cost
RC16	16	20	13	\$140
RC 18	18	22	15	\$155
RC 20	20	24	17	\$175
RC 22	22	26	19	\$190
RC 24	24	28	21	\$210
RC 26	26	30	23	\$225
RC 28	28	32	25	\$250
RC 30	30	34	27	\$275
RC 32	32	36	29	\$300
RC 34	34	38	31	\$325
RC 36	36	40	33	\$350

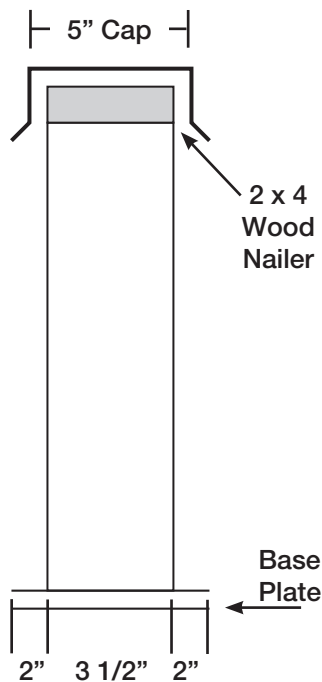
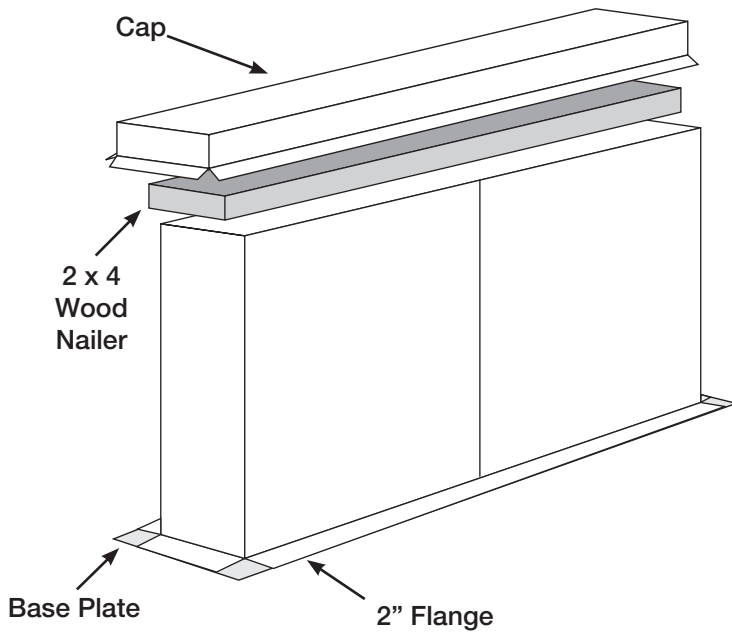


Standard Metal Products Mfg. LLC

DAMPERS & LOUVERS FOR THE HVAC INDUSTRY

WWW.SMPMFG.COM

MODEL: CSR Curb Support Rail



Our Curb Support Rails unique design is welded in 18ga galvanized steel sections that are continuously welded together. This design offers optimum internal reinforcement every 24". The full Manufactured section is then attached to the 18ga base plate.

A continuous 2 x 4 wood nailer is attached to the top along with the removable counter flashing. The flashing provides an effective method of attaching roofing felts and assuring a water tight application. Standard sizes are 2', 4', 6', 8' and 10' lengths.

Standard Construction

- 18 ga Galvanized Welded Steel Construction
- 16" Height
- 2 x 4 Wood Nailer
- Counter Flashing Cover
- Internal Reinforcement every 24"

Options

- Height Change
- Heavier Gauge
- Wider Wood Nailer
- Insulated

CSR Curb Support Rails				
	Under 100'	100' - 248'	250' - 398'	400' +
2' Length	\$100.00			
4' Length	\$200.00	Call For Pricing		
6' Length	\$300.00			
8' Length	\$400.00			
10' Length	\$500.00			



Standard Metal Products Mfg. LLC

DAMPERS & LOUVERS FOR THE HVAC INDUSTRY

WWW.SMPMFG.COM



Prices Subject
to Change
Without Notice

(OBN, PBN, OBS, PBS) Opposed or Parallel Blade Dampers Non-Sealed (Balancing Damper) or Sealed (Control Damper)

The OBN, PBN, OBS, PBS dampers offer a sturdy steel construction. The damper frame is a 16ga galvanized welded hat channel design to keep the damper square and true to form. The blades are formed 16ga galvanized with linkage in the airstream for better blade operation. Bronze oilite bushings offer low maintenance and ease of operation. Dampers of the same height can easily operate sectioned together by linking the blade with a connecting rod from one damper section to the blade of the next damper section. Please consult factory for best options. On the Sealed Dampers, OBS or PBS the blades seal tightly against the frame with the use of spring stainless steel side jambs and BES vinyl blade seals..

Standard Construction:

List dampers duct size (WxH) width x height. All dampers will be 1/4" smaller both ways

Frame:	16ga galvanized formed hat channel welded construction
Frame Dimensions:	3-7/8" Hat channel (11/16 x 5/8 x 2-1/2 x 5/8 x 11/16)
Blades:	16ga galvanized rib formed (3V), 8" maximum blade width
Finish:	Mill finish
Bushings:	Bronze 1/2" round oilite
Control rod:	1/2" round CRS plated 9" long
Axles:	1/2" round x 2-1/2" long CRS plated
Hardware:	Plated steel - brass pivits - 1/4" round linkage rods

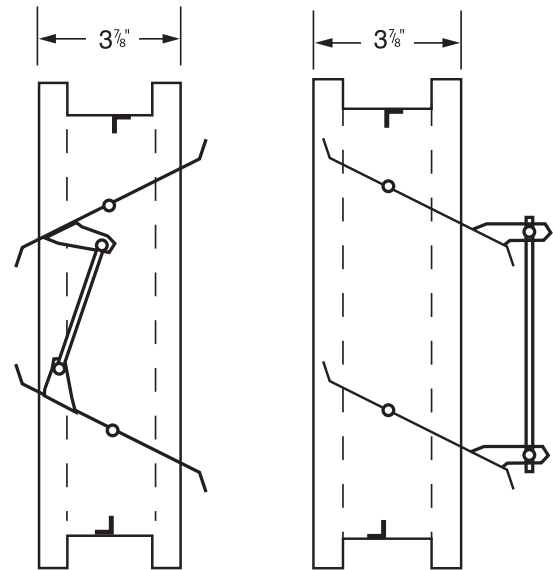
Sealed Dampers (OBS or PBS)

Side Seals:	304 spring stainless steel
Blade Seals:	BES self sealing vinyl blade seals

- Mfg. options: Stainless Steel - all stainless steel
Aluminum - aluminum with st. stl set screws, bronze bushings/pivits
- Options: Quadrants 1/2" round - either galvanized or stainless steel (both with cast handle).
Above quadrants with 2" standoff in galvanized, stainless steel or aluminum.
Plate on control rod side to install in existing duct.
Nylon bushings installed upon request

- Maximum single section width: 48"
Maximum single section size: (OBN or PBN) 48"x72" (OBS or PBS) 48"x48"
Multiple section assembly: Yes - Call factory for best options
Minimum size: 6"x6"
Minimum multi-blade size: 6"x12"
One blade style: 11" blade height and under
Multi-blade style: 12" blade height and above
Maximum velocity: 2000 fpm

Damper height	# of blades	Damper height	# of blades
11" and under	1 blade	49"-55"	7 blades
12"-18"	2 blades	56"-63"	8 blades
19"-24"	3 blades	64"-72"	9 blades
25"-32"	4 blades		
33"-40"	5 blades		
41"-48"	6 blades		



Opposed Blade

Parallel Blade



Standard Metal Products Mfg. LLC

DAMPERS & LOUVERS FOR THE HVAC INDUSTRY

WWW.SMPMFG.COM

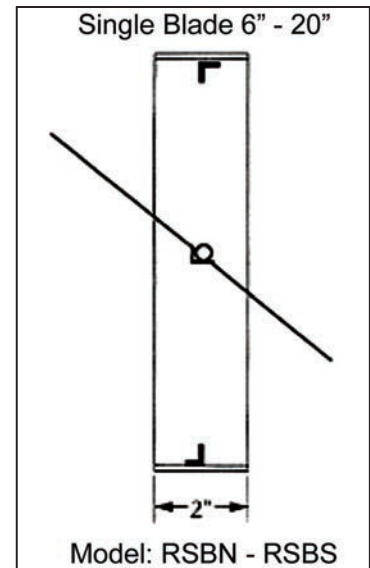
(RSBN) Round Single Blade Non-Sealed Damper

The RSBN is our round single blade non-sealed damper designed to fit inside pipe sizes ranging from 6"-20" round. The welded 2" deep damper frame is undersized 1/4" for ease of installation; the blades are formed 16GA galvanized steel attached by a 1/2" round control rod that can be operated by either a hand quadrant or an actuator.

Standard Construction:

Frame:	Sizes 06"-08" 16ga galvanized X 2" Welded
	Sizes 10"-20" 10ga galvanized X 2" Welded
Blade:	16ga galvanized formed steel
Bearings:	1/2" Round Bronze Oilite
Control Rod:	1/2" Round
Hardware:	All plated and riveted

Round Single Blade Non-Sealed



(RSBS) SEALED DAMPER CONSTRUCTION

Frame Seals: Neoprene Gasket

(ROBN) Round Opposed Blade Non-Sealed Damper

The ROBN is our round opposed blade non-sealed damper designed to fit inside pipe sizes ranging from 16"-48" round. The welded 2" deep damper frame is undersized 1/4" for ease of installation, the damper blades are formed 16GA galvanized steel with linkage in the air stream for better blade operation. This damper has a 1/2" round control rod that can be operated by either a hand quadrant or an actuator.

(ROBS) Round Opposed Blade Sealed Damper

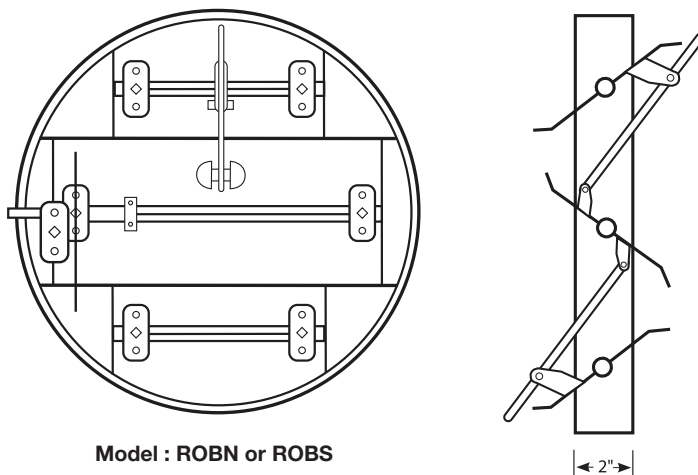
This damper design is similar to the non-sealed style damper. To keep leakage to a minimum we have installed spring stainless steel in the side jambs and seal the blades with BES vinyl blade seals and neoprene gasket.

Standard Construction:

Frame:	10ga galvanized X 2" Welded
Blade:	16ga galvanized formed steel
Bearings:	1/2" Round Bronze Oilite
Control Rod:	1/2" Round
Hardware:	All plated and riveted with 1/4" linkage

Sealed Damper Construction:

Side Seals:	Spring Stainless Steel
Blade Seals:	Elgin BES vinyl



Model : ROBN or ROBS

Other materials include:

Stainless Steel, Aluminum with some S.S. hardware.

Quadrant Options:

Standoff Quadrants of Galvanized or Stainless Steel.



Standard Metal Products Mfg. LLC
DAMPERS & LOUVERS FOR THE HVAC INDUSTRY
WWW.SMPMFG.COM