



# SHEET METAL CONNECTORS, INC.

www.smduct.com

MINNEAPOLIS, MN  
 5850 Main Street N.E.  
 Minneapolis, Minnesota 55432  
 LOCALLY CALL: 763-572-0000  
 TOLL FREE: 1-800-328-1966  
 FAX: 763-572-1100

ROCKFORD, IL  
 5601 Sandy Hollow Road  
 Rockford, Illinois 61109  
 LOCALLY CALL: 815-874-4600  
 TOLL FREE: 1-866-504-4600  
 FAX: 815-874-9979



## Adjustable Elbows & Angles

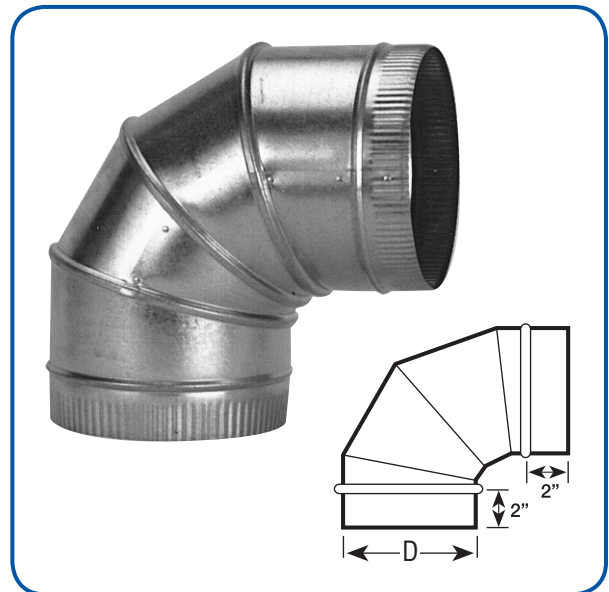
Adjustable elbows and angles are versatile and are most commonly used in a standard spiral system.

See charts below for sizes and gauges.

- Available in various gauges of G-60 galvanized steel
- Available in aluminum, stainless steel, polyvinyl coated, paint grip and G-90
- Available in 3" - 28" diameter
- Elbow can come with one or both ends crimped
- All fittings are yellow label union made

### 90° Throat and Gauge Chart

| 26<br>Diam. | 24<br>Gauge | 22<br>Gauge | Gauge  | 26<br>Diam. | 24<br>Gauge | 22<br>Gauge | Gauge |
|-------------|-------------|-------------|--------|-------------|-------------|-------------|-------|
| 3"          | 1"          | 1"          | N/A    | 13"         | 3"          | 3"          | 3"    |
| 4"          | 1 1/2"      | 1 1/2"      | 1 1/2" | 14"         | N/A         | 3"          | 3"    |
| 5"          | 1 1/2"      | 1 1/2"      | 1 1/2" | 15"         | N/A         | 3"          | 3"    |
| 6"          | 1 1/2"      | 1 1/2"      | 1 1/2" | 16"         | N/A         | 3"          | 3"    |
| 7"          | 1 1/2"      | 1 1/2"      | 1 1/2" | 18"         | N/A         | 3"          | 3"    |
| 8"          | 2"          | 2"          | 2"     | 20"         | N/A         | 3"          | 3"    |
| 9"          | 2"          | 2"          | 2"     | 22"         | N/A         | N/A         | 5"    |
| 10"         | 2"          | 2"          | 2"     | 24"         | N/A         | N/A         | 5"    |
| 11"         | 3"          | 3"          | 3"     | 26"         | N/A         | N/A         | 5"    |
| 12"         | 2 1/2"      | 2 1/2"      | 2 1/2" | 28"         | N/A         | N/A         | 5"    |



Full sweep elbows and angles are available up to 16" diameter.

### 45° Throat and Gauge Chart

| 26<br>Diam. | 24<br>Gauge | 22<br>Gauge | Gauge | 26<br>Diam. | 24<br>Gauge | 22<br>Gauge | Gauge |
|-------------|-------------|-------------|-------|-------------|-------------|-------------|-------|
| 3"          | 3"          | 3"          | N/A   | 13"         | 5"          | 5"          | 5"    |
| 4"          | 3"          | 3"          | 3"    | 14"         | N/A         | 5"          | 5"    |
| 5"          | 4"          | 4"          | 4"    | 15"         | N/A         | 5"          | 5"    |
| 6"          | 4"          | 4"          | 4"    | 16"         | N/A         | 5"          | 5"    |
| 7"          | 5"          | 5"          | 5"    | 18"         | N/A         | 5"          | 5"    |
| 8"          | 5"          | 5"          | 5"    | 20"         | N/A         | 5"          | 5"    |
| 9"          | 5"          | 5"          | 5"    | 22"         | N/A         | N/A         | 5"    |
| 10"         | 5"          | 5"          | 5"    | 24"         | N/A         | N/A         | 5"    |
| 11"         | 5"          | 5"          | 5"    | 26"         | N/A         | N/A         | 5"    |
| 12"         | 5"          | 5"          | 5"    | 28"         | N/A         | N/A         | 5"    |

