



SHEET METAL CONNECTORS, INC.

FABRICATION THAT PERFORMS

MINNEAPOLIS, MN
 5850 Main Street N.E.
 Minneapolis, Minnesota 55432
 LOCALLY CALL: 763-572-0000
 TOLL FREE: 1-800-328-1966
 FAX: 763-572-1100

ROCKFORD, IL
 5601 Sandy Hollow Road
 Rockford, Illinois 61109
 LOCALLY CALL: 815-874-4600
 TOLL FREE: 1-866-504-4600
 FAX: 815-874-9979



www.smcdct.com

45° Lateral Cross

SMC spiral fittings are manufactured with an elbow lock seam, lap seam (i.e. stitch weld, riveted, tack weld or solid weld), standing seam or butt weld seam. These may be with or without duct sealant.

All fittings can be manufactured with:

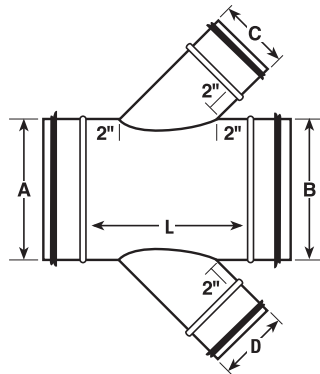
- Complete Seal Spiral Pipe System - 6" to 24" Diameter (even sizes)
- E-Z Flange Jr. with Barrel Clamp - 6" to 24" Diameter
- E-Z Flange with Barrel Clamp - 26" to 96" Diameter
- Standard Spiral End
- Companion Angle Ring

Lateral Cross

Dimensions to be listed as follows: A, B, C, D

$$L = 1.414 \times (\text{Larger of "C" or "D"} + 4")$$

All Fittings are 1.75" from Bead to End of Fitting.

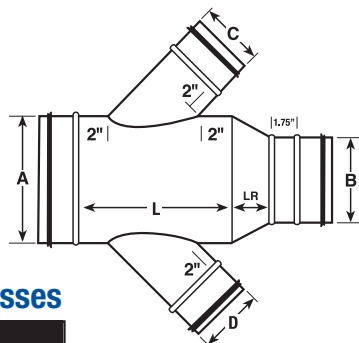


Lateral Cross with Reducer

Dimensions to be listed as follows: A, B, C, D

$$L = 1.414 \times (\text{Larger of "C" or "D"} + 4")$$

All Fittings are 1.75" from Bead to End of Fitting.



LR Value for Tees and Crosses

Size Reduction	LR	Size Reduction	LR
1	4.75	12	20.25
2	5.75	13	21.25
3	5.75	14	22.25
4	7.75	15	25.25
5	8.75	16	25.25
6	9.75	17	28.25
7	13.25	18	28.25
8	14.25	19	29.25
9	16.25	20	31.25
10	17.25	21	32.25
11	18.25	22	33.25

* Add 1.5" to LR Value for Diameters Over 18"

