



# SHEET METAL CONNECTORS, INC.

www.smduct.com

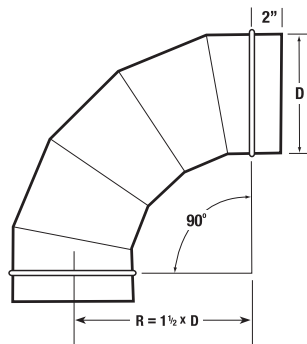
MINNEAPOLIS, MN  
5850 Main Street N.E.  
Minneapolis, Minnesota 55432  
LOCALLY CALL: 763-572-0000  
TOLL FREE: 1-800-328-1966  
FAX: 763-572-1100

ROCKFORD, IL  
5601 Sandy Hollow Road  
Rockford, Illinois 61109  
LOCALLY CALL: 815-874-4600  
TOLL FREE: 1-866-504-4600  
FAX: 815-874-9979



## Welded Gored Elbows & Angles

Welded elbows and angles are used in high pressure and low leakage systems. Standard Elbows and angles are fabricated from 20 gauge material. Available in E-Z Flange Jr. 6" - 24" diameter and E-Z Flange 26" - 60" diameter. 52" and larger in diameter 90 degree full sweep (1.5 x CL) elbows are fabricated using two 45 degree angles connected with a E-Z Flange and Barrel Clamp unless otherwise specified.



Standard Elbows and Angles are fabricated from 20 gauge galvanized material. Other diameters, throat radiuses and gauges are available, please consult factory.

