



# SHEET METAL CONNECTORS, INC.

FABRICATION THAT PERFORMS

**MINNEAPOLIS, MN**  
 5850 Main Street N.E.  
 Minneapolis, Minnesota 55432  
 LOCALLY CALL: 763-572-0000  
 TOLL FREE: 1-800-328-1966  
 FAX: 763-572-1100

**ROCKFORD, IL**  
 5601 Sandy Hollow Road  
 Rockford, Illinois 61109  
 LOCALLY CALL: 815-874-4600  
 TOLL FREE: 1-866-504-4600  
 FAX: 815-874-9979



[www.smduct.com](http://www.smduct.com)

## 90° Conical Tees

**SMC spiral fittings are manufactured with an elbow lock seam, lap seam (i.e. stitch weld, riveted, tack weld or solid weld), standing seam or butt weld seam. These may be with or without duct sealant.**

All fittings can be manufactured with:

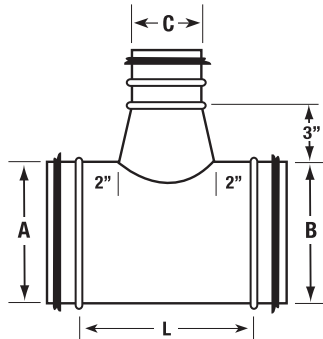
- Complete Seal Spiral Pipe System - 6" to 24" Diameter (even sizes)
- E-Z Flange Jr. with Barrel Clamp - 6" to 24" Diameter
- E-Z Flange with Barrel Clamp - 26" to 96" Diameter
- Standard Spiral End
- Companion Angle Ring

### Conical Tee

Dimensions to be listed as follows: A, B, C

$$L = C + 5''$$

All Fittings are 1.75" from Bead to End of Fitting.

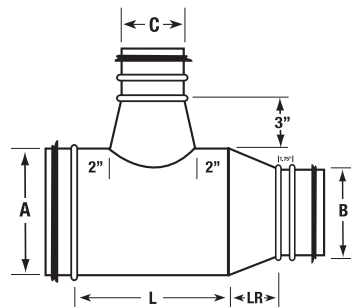


### Conical Tee with Reducer

Dimensions to be listed as follows: A, B, C

$$L = C + 5''$$

All Fittings are 1.75" from Bead to End of Fitting.



### LR Value for Tees and Crosses

Size Reduction	LR	Size Reduction	LR
1	4.75	12	20.25
2	5.75	13	21.25
3	5.75	14	22.25
4	7.75	15	25.25
5	8.75	16	25.25
6	9.75	17	28.25
7	13.25	18	28.25
8	14.25	19	29.25
9	16.25	20	31.25
10	17.25	21	32.25
11	18.25	22	33.25

\* Add 1.5" to LR Value for Diameters Over 18"

