



SHEET METAL CONNECTORS, INC.

FABRICATION THAT PERFORMS

MINNEAPOLIS, MN
 5850 Main Street N.E.
 Minneapolis, Minnesota 55432
 LOCALLY CALL: 763-572-0000
 TOLL FREE: 1-800-328-1966
 FAX: 763-572-1100

ROCKFORD, IL
 5601 Sandy Hollow Road
 Rockford, Illinois 61109
 LOCALLY CALL: 815-874-4600
 TOLL FREE: 1-866-504-4600
 FAX: 815-874-9979



www.smduct.com

Adjustable Elbows & Angles with E-Z Flange

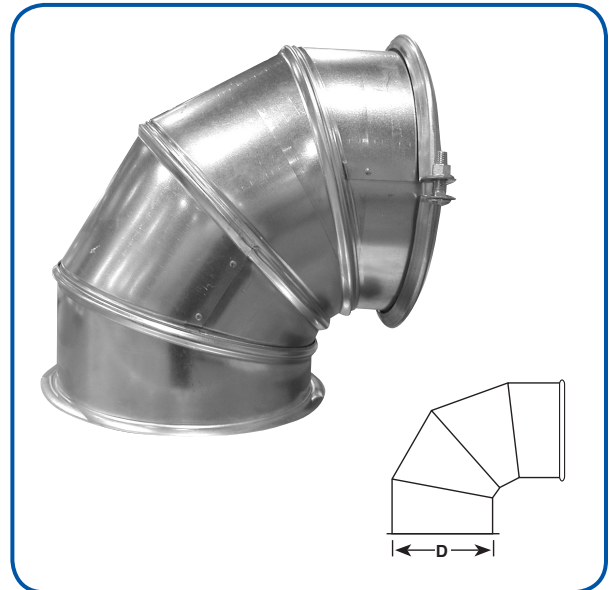
Adjustable elbows and angles are versatile and are most commonly used in a standard spiral system.

See charts below for sizes and gauges.

- Available in 26-22 gauge of G-60 galvanized steel
- Available in aluminum, stainless steel, polyvinyl coated, paint grip and G-90
- Available in 3" - 24" diameter
- All fittings are yellow label union made

90° Throat and Gauge Chart

Diam.	26 Gauge	24 Gauge	22 Gauge	Diam.	26 Gauge	24 Gauge	22 Gauge
6"	3"	3"	3"	14"	N/A	4"	4"
7"	3"	3"	3"	15"	N/A	4"	4"
8"	3"	3"	3"	16"	N/A	4"	4"
9"	3"	3"	3"	18"	N/A	5"	5"
10"	3"	3"	3"	20"	N/A	6"	6"
11"	4"	4"	4"	22"	N/A	N/A	6"
12"	4 1/2"	4 1/2"	4 1/2"	24"	N/A	N/A	6"
13"	5"	5"	5"				



Full sweep elbows and angles are available up to 16" diameter.

45° Throat and Gauge Chart

Diam.	26 Gauge	24 Gauge	22 Gauge	Diam.	26 Gauge	24 Gauge	22 Gauge
6"	5"	5"	5"	14"	N/A	6"	6"
7"	6"	6"	6"	15"	N/A	6"	6"
8"	6"	6"	6"	16"	N/A	6"	6"
9"	6"	6"	6"	18"	N/A	6"	6"
10"	6"	6"	6"	20"	N/A	8"	8"
11"	6"	6"	6"	22"	N/A	N/A	9"
12"	6"	6"	6"	24"	N/A	N/A	10"
13"	6"	6"	6"				

