



SHEET METAL CONNECTORS, INC.

FABRICATION THAT PERFORMS

MINNEAPOLIS, MN
5850 Main Street N.E.
Minneapolis, Minnesota 55432
LOCALLY CALL: 763-572-0000
TOLL FREE: 1-800-328-1966
FAX: 763-572-1100

ROCKFORD, IL
5601 Sandy Hollow Road
Rockford, Illinois 61109
LOCALLY CALL: 815-874-4600
TOLL FREE: 1-866-504-4600
FAX: 815-874-9979



www.smduct.com

45° Lateral Tees & Crosses with E-Z Flange

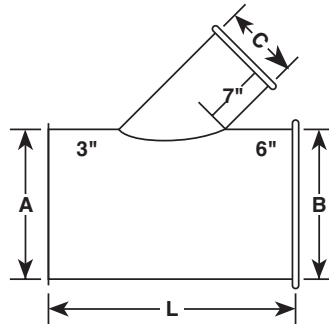
SMC spiral fittings are manufactured with an elbow lock seam, lap seam (i.e. stitch weld, riveted, tack weld or solid weld), standing seam or butt weld seam. These may be with or without duct sealant.

All fittings can be manufactured with:

- E-Z Flange Jr. with Barrel Clamp - 6" to 24" Diameter
- E-Z Flange with Barrel Clamp - 26" to 96" Diameter

Lateral

Dimensions to be listed as follows: A, B, C
 $L = (1.414 \times C) + 9"$



Lateral Cross

Dimensions to be listed as follows: A, B, C, D
 $L = 1.414 \times$
(Larger of "C" or "D") + 9"

