



SHEET METAL CONNECTORS, INC.

www.smduct.com

MINNEAPOLIS, MN
5850 Main Street N.E.
Minneapolis, Minnesota 55432
LOCALLY CALL: 763-572-0000
TOLL FREE: 1-800-328-1966
FAX: 763-572-1100

ROCKFORD, IL
5601 Sandy Hollow Road
Rockford, Illinois 61109
LOCALLY CALL: 815-874-4600
TOLL FREE: 1-866-504-4600
FAX: 815-874-9979

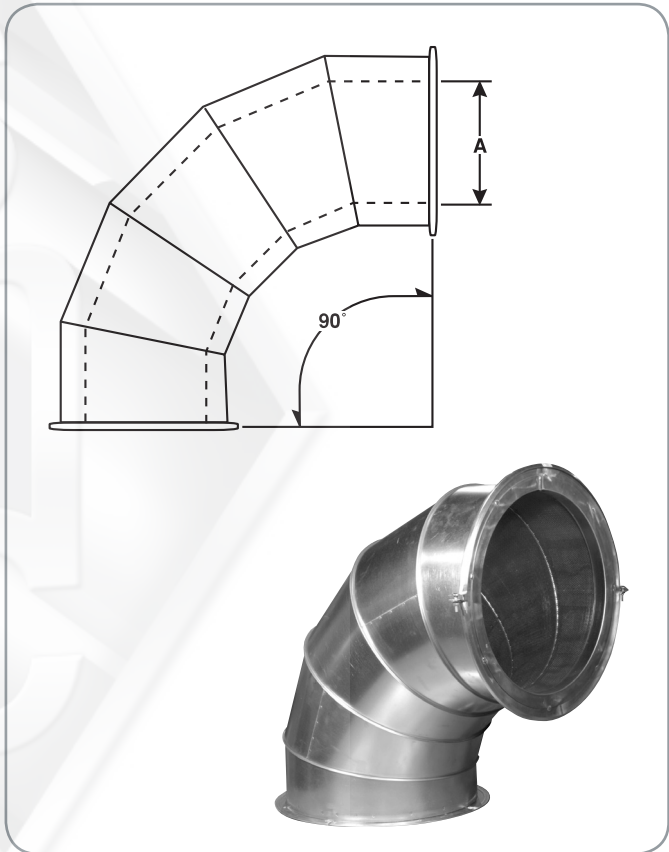


Double Wall 90° Elbow with E-Z Flange and Barrel Clamp

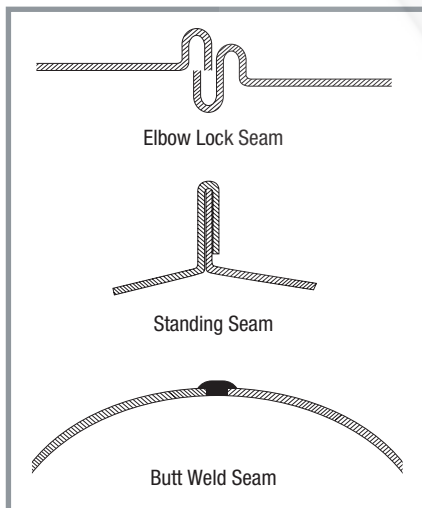
Sheet Metal Connectors, Inc. double wall duct has a complete line of compatible fittings. Fittings can be fabricated with standing seam, elbow lock or welded seam construction. Double wall fittings can be fabricated to desired length and many different configurations. All sizes shall be listed using inside dimensions.

All fittings can be manufactured with:

- Double Wall E-Z Flange Jr. with Barrel Clamp
6" to 24" Diameter
- Double Wall E-Z Flange with Barrel Clamp
26" to 96" Diameter
- Double Wall Couplings



Inside dimensions to be listed



Standard Throats	
8" Thru 18"	8" Throat
20" Thru 40"	10" Throat
42" Thru 60"	20" Throat

