



SHEET METAL CONNECTORS, INC.

www.smduct.com

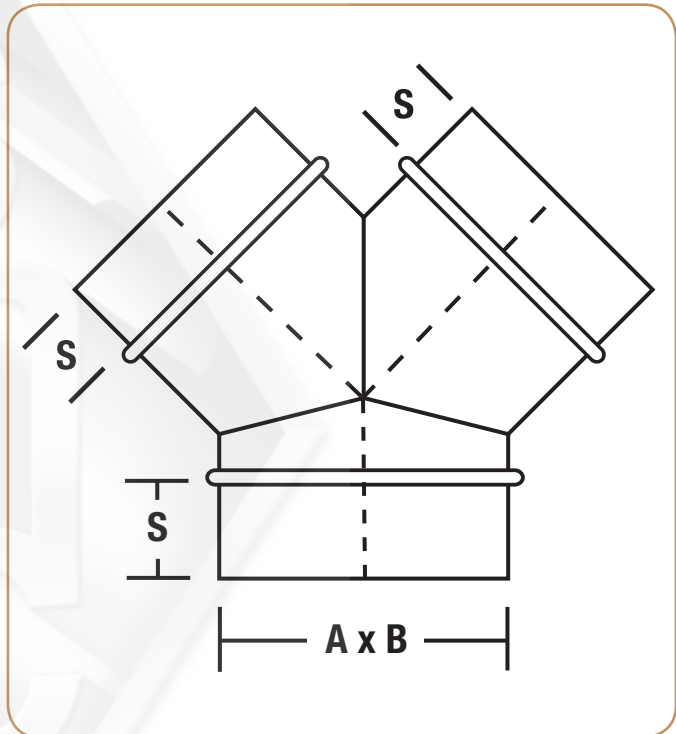
MINNEAPOLIS, MN
5850 Main Street N.E.
Minneapolis, Minnesota 55432
LOCALLY CALL: 763-572-0000
TOLL FREE: 1-800-328-1966
FAX: 763-572-1100

ROCKFORD, IL
5601 Sandy Hollow Road
Rockford, Illinois 61109
LOCALLY CALL: 815-874-4600
TOLL FREE: 1-866-504-4600
FAX: 815-874-9979



FLAT OVAL Equal Y Branch

Sheet Metal Connectors, Inc. flat oval single wall duct and fittings are one part of our complete line of HVAC products. Flat oval duct has been designed for restricted space conditions that cannot accept round spiral duct. Flat Oval fittings are fabricated with our state of the art equipment and assembled with fully welded seams. Applied end treatments can be E-Z Flange with barrel clamp, standard slip connection, or angle iron rings.



Equal Y Branch

Flat Oval Construction

Flat oval is for positive pressure applications only.

See Sheet Metal Connectors, Inc. recommended size and gauge chart below.

MAJOR DIMENSION DUCT WIDTH	SPIRAL SEAM DUCT GAUGE	LONGITUDINAL SEAM DUCT GAUGE	GAUGES OF FITTINGS
To 24"	24	20	20
26" to 36"	22	20	20
38" to 48"	22	18	18
50" to 60"	20	18	18
62" to 70"	20	16	16
72" and up	18	16	16

