



# SHEET METAL CONNECTORS, INC.

[www.smduct.com](http://www.smduct.com)

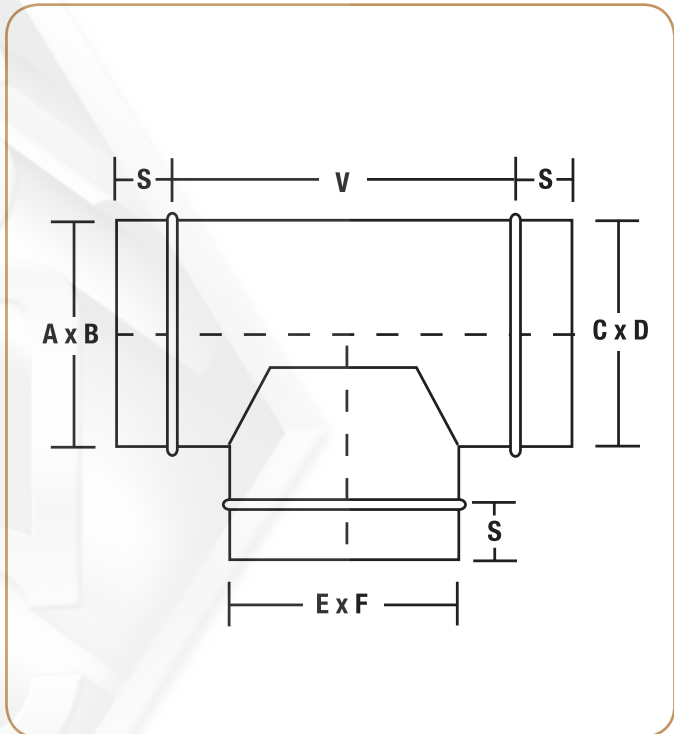
MINNEAPOLIS, MN  
 5850 Main Street N.E.  
 Minneapolis, Minnesota 55432  
 LOCALLY CALL: 763-572-0000  
 TOLL FREE: 1-800-328-1966  
 FAX: 763-572-1100

ROCKFORD, IL  
 5601 Sandy Hollow Road  
 Rockford, Illinois 61109  
 LOCALLY CALL: 815-874-4600  
 TOLL FREE: 1-866-504-4600  
 FAX: 815-874-9979



## FLAT OVAL Bull Head Tee

Sheet Metal Connectors, Inc. flat oval single wall duct and fittings are one part of our complete line of HVAC products. Flat oval duct has been designed for restricted space conditions that cannot accept round spiral duct. Flat Oval fittings are fabricated with our state of the art equipment and assembled with fully welded seams. Applied end treatments can be E-Z Flange with barrel clamp, standard slip connection, or angle iron rings.



Bull Head Tee - Specify With or Without Vanes

### Flat Oval Construction

Flat oval is for positive pressure applications only.  
 See Sheet Metal Connectors, Inc. recommended size and gauge chart below.

MAJOR DIMENSION DUCT WIDTH	SPIRAL SEAM DUCT GAUGE	LONGITUDINAL SEAM DUCT GAUGE	GAUGES OF FITTINGS
To 24"	24	20	20
26" to 36"	22	20	20
38" to 48"	22	18	18
50" to 60"	20	18	18
62" to 70"	20	16	16
72" and up	18	16	16

