

(ROBN) Round Opposed Blade Non-Sealed Balancing Damper

Description:

The ROBN is our round opposed blade non-sealed damper designed to fit inside pipe sizes ranging from 16" to 48" round. The welded 2" deep frame is undersized 1/4" for ease of installation, the damper blades are a formed 16ga galvanized steel with linkage in the airstream for better blade operation. This damper has a 1/2" round control rod that can be operated by either a hand quadrant with standoff or an actuator.

Standard Construction:

List damper as duct size - damper will be 1/4" smaller

| | |
|----------------------------|--------------------------------------|
| Frame: | 2" x 10ga galvanized - welded |
| Blades: | 16ga galvanized formed steel |
| Bushings: | 1/2" round bronze oilite |
| Control rods/axles: | 1/2" round plated steel |
| Hardware: | Plated and riveted with 1/4" linkage |

Damper Sizes:

| Damper size | Number of blades |
|------------------------|------------------|
| 16" round to 18" round | 2 blades |
| 20" round to 30" round | 3 blades |
| 32" round to 44" round | 5 blades |
| 46" round to 48" round | 7 blades |

Material Options:

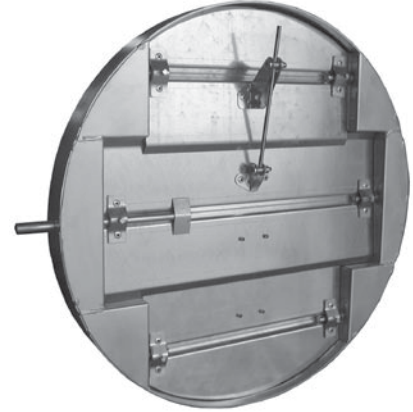
- Galvanized:** Our Standard Construction
Aluminum: Aluminum with stainless steel set screws/bronze bushings
Stainless steel: All stainless steel

Options:

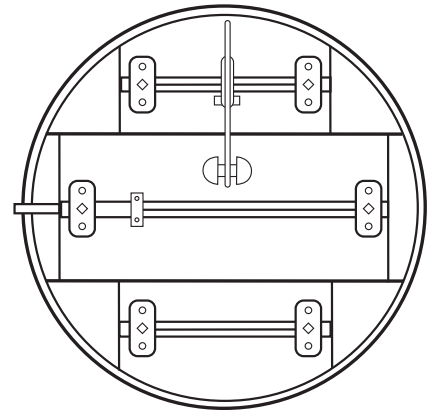
- Nylon bushings
 Sleeves – with or without motor mounts
 Belimo – electric actuators (See PDF Belimo actuators)
 Quadrants

Quadrants Options:

- Galvanized or stainless steel (both with cast handles)
 Quadrants for round dampers are on a 2" standoff of galvanized, stainless steel or aluminum.



Multi Blade: 16" & Up



Model: ROBN
 Round Opposed Blade
 Non-Sealed Damper

