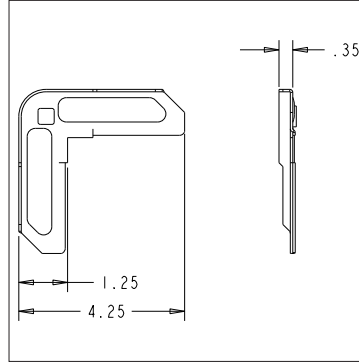


Product Data Sheet



Features

- Holds ductwork together in conjunction with the Elgen Flange.
- Provides a sealing surface for the Elgen 440 Butyl Gasket
- Made with Domestic Galvanized Steel
- Union Made-Yellow Label

Description

The Elgen Flange Corner is designed to be used with the Elgen Flange System for rectangular ductwork.

Optional Construction

- Stainless Steel 304
- Stainless Steel 316
- Aluminum
- PCD
- Galvanneal (Paint Grip)
- Agion (Antimicrobial Coating)

Standard Construction

Stamped 16 GA ASTM A-653 G60/G90 material
Accepts a 3/8" carriage bolt
Weight(per box): 45 lbs

Packaging

Box Qty	Skid Qty
300	28,800

Guarantee

All Elgen products are guaranteed by Elgen Manufacturing against defective material.

Elgen Manufacturing
10 Railroad Ave, Closter NJ 07624
Tel: 800.503.9805 :: Fax: 201.964.9030
info@elgenmfg.com :: www.elgenmfg.com



SHEET METAL CONNECTORS, INC.

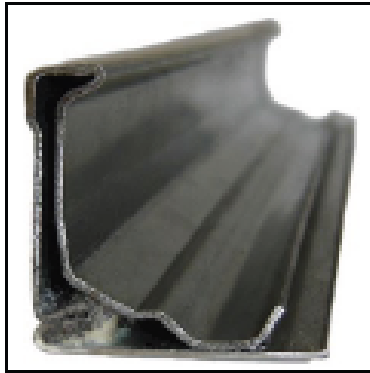
MINNEAPOLIS, MN
5850 Main Street N.E.
Minneapolis, Minnesota 55432
LOCALLY CALL: 763-572-0000
TOLL FREE: 1-800-328-1966
FAX: 763-572-1100

www.smduct.com

ROCKFORD, IL
5601 Sandy Hollow Road
Rockford, Illinois 61109
LOCALLY CALL: 815-874-4600
TOLL FREE: 1-866-504-4600
FAX: 815-874-9979



ELGEN J-FLANGE



Features

MADE IN USA with USA Steel
Union Made Yellow Label
Butyl in pocket for an energy efficient seal.
Sealing Materials meet NFPA 90A & B Class 1 requirements.

Optional Construction

Stainless Steel 304
Stainless Steel 316
Aluminum
PCD
Galvanneal (Paint Grip)
Agion (Antimicrobial Coating)

Technical Information

The Elgen J Flange is tested in accordance with SMACNA testing procedures.

No external sealant was employed and the test results reveal: The Elgen J Flange System is comparable to the SMACNA Class "J" transverse joint.

The Elgen J Flange in stainless steel exhibits the same performance as galvanized.

The Elgen J Flange in Aluminum is comparable to a SMACNA H connection.

Do not notch the corners when fabricating duct work for the Elgen J Flange System.

Packaging

Bundled in 10 and 20 foot lengths protected on 4 sides with corner board. Every bundle is banded using spring steel securing it to wooden blocks.

Length (ft)	Bundle Qty (ft)	Weight (lbs)
10	750	560
20	1,500	1120

Description

The Elgen J Flange is designed with two purposes in mind. The first is to provide external duct reinforcement, and the second is to provide a joining system between two similar size joints of duct.

Please refer to Elgen's 4-Corner Connection System document for fabrication, and assembly instructions.

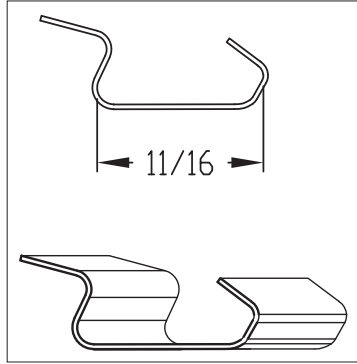
Standard Construction

Roll formed domestic galvanized steel that comes with a butyl sealant inside of the pocket to ensure an energy efficient seal.

Product comes standard in 10 and 20 foot lengths.



Product Data Sheet



Features

MADE IN USA with USA Steel
Union Made Yellow Label
Meets SMACNA Requirements for 6" length

Description

The Elgen Flange Cleat is used in conjunction with the Elgen Flange.

The Elgen Flange Cleat is used on the perimeter of the Elgen Flange, four bolt rectangular system.

The use of the Elgen Flange Cleat provides uniform compression for the 440 Butyl Gasket between the Elgen Flange's.

Standard Construction

Stamped from 20 GA ASTM A-653 G60/G90 material.

Weight(per box): 46 lbs

Optional Construction

Stainless Steel 304
Stainless Steel 316
Aluminum
PCD
Galvanneal (Paint Grip)
Agion (Antimicrobial Coating)

Packaging

Box Qty	Skid Qty
500	48,000

Guarantee

All Elgen products are guaranteed by Elgen Manufacturing against defective material.

Elgen Manufacturing

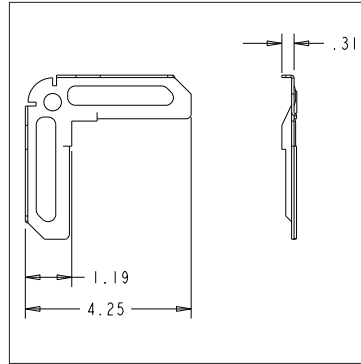
10 Railroad Ave, Closter NJ 07624

Tel: 800.503.9805 :: Fax: 201.964.9030

info@elgenmfg.com :: www.elgenmfg.com



Product Data Sheet



Features

- Clips enable you to avoid using a carriage bolt and hex nut.
- Holds ductwork together in conjunction with the Elgen Flange.
- Provides a sealing surface for the Elgen 440 Butyl Gasket
- Made with Domestic Galvanized Steel
- Union Made-Yellow Label

Description

The Elgen Flange Corner is designed to be used with the Elgen Flange System for rectangular ductwork.

Optional Construction

- Stainless Steel 304
- Stainless Steel 316
- Aluminum
- PCD
- Galvanneal (Paint Grip)
- Agion (Antimicrobial Coating)

Standard Construction

Elgen Flange Corners are Stamped from 16 GA ASTM A-653 G60/G90 material
Clips Fasteners are stamped from ? GA ASTM A-653 G60/G90 material
Weight(per box): 43 lbs

Packaging

Box Qty	Skid Qty
300	28,800

Guarantee

All Elgen products are guaranteed by Elgen Manufacturing against defective material.

Elgen Manufacturing
10 Railroad Ave, Closter NJ 07624
Tel: 800.503.9805 :: Fax: 201.964.9030
info@elgenmfg.com :: www.elgenmfg.com