

SUBMITTAL RECORD \_\_\_\_\_  
 JOB \_\_\_\_\_  
 LOCATION \_\_\_\_\_  
 SUBMITTED TO \_\_\_\_\_  
 SUBMITTAL PREPARED BY \_\_\_\_\_  
 APPROVED BY \_\_\_\_\_  
 DATE \_\_\_\_\_



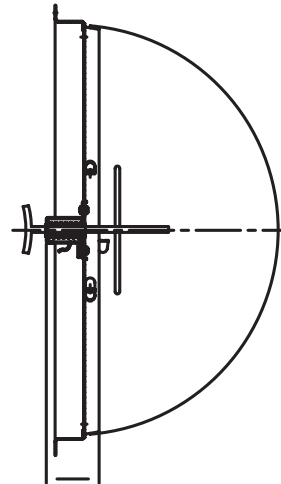
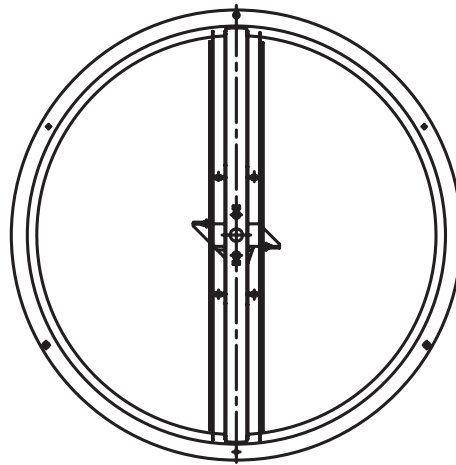
# Specification Form

## RCDD

### ROUND CEILING DIFFUSER DAMPER

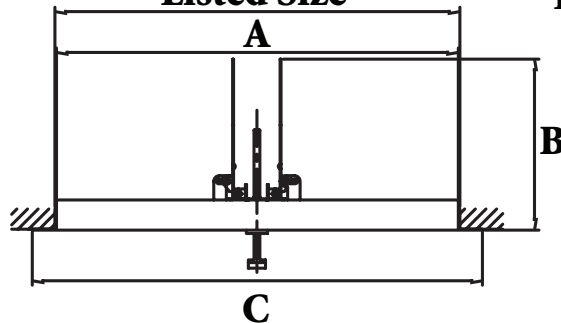
### FEATURES

- Steel construction
- Removable handle for adjustment
- For use with RCD ceiling diffuser
- Available in brown durable finish



Listed Size

1-3/4"



Size	A	B	C
6	5.9"	3.4"	7.5"
8	7.9"	4.4"	9.5"
10	9.9"	5.47"	11"
12	11.9"	6.45"	13"
14	13.9"	7.45"	15"

Duro Dyne East Division, Bay Shore, NY	631-249-9000	Fax: 631-249-8346
Duro Dyne Midwest Division, Fairfield, OH	513-870-6000	Fax: 513-870-6005
Duro Dyne West Division, Santa Fe Springs, CA	562-926-1774	Fax: 562-926-5778
Duro Dyne Canada, Lachine, Quebec, Canada	514-422-9760	Fax: 514-636-0328
www.durodyne.com E-mail: durodyne@durodyne.com		



©2012 DURO DYNE CORP.  
 Printed in the USA 5/12  
 BO000323

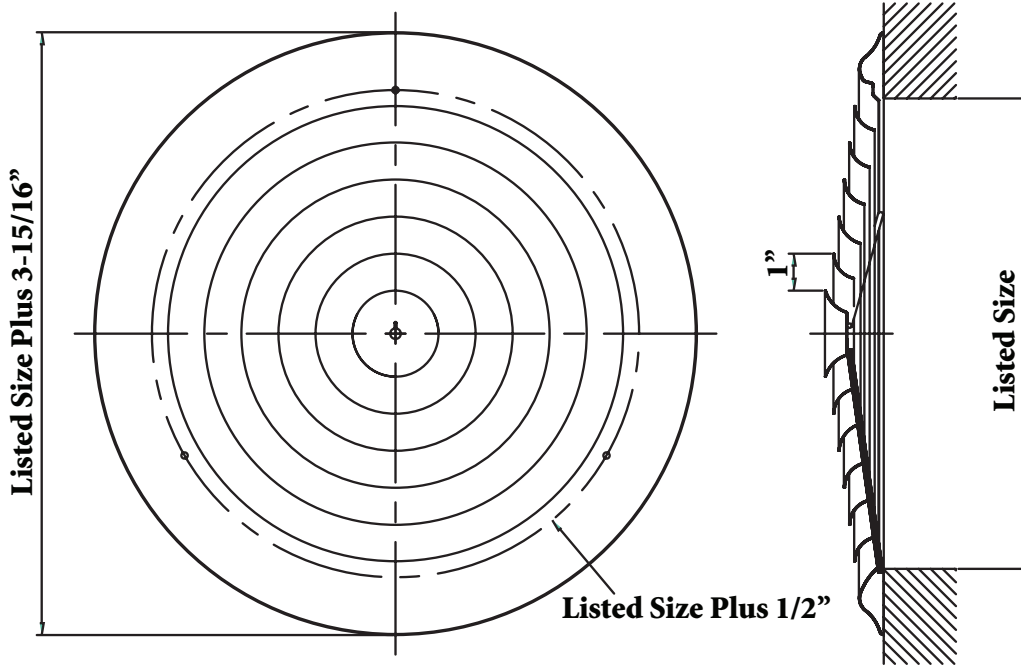
SUBMITTAL RECORD \_\_\_\_\_  
 JOB \_\_\_\_\_  
 LOCATION \_\_\_\_\_  
 SUBMITTED TO \_\_\_\_\_  
 SUBMITTAL PREPARED BY \_\_\_\_\_  
 APPROVED BY \_\_\_\_\_  
 DATE \_\_\_\_\_



**Specification Form**  
**RCD**  
**ROUND CEILING**  
**DIFFUSER**

**FEATURES**

- Steel construction
- Step-down diffuser rings
- 360-degree air deflection
- For ceiling application
- For use with 301 ceiling damper



Duro Dyne East Division, Bay Shore, NY	631-249-9000	Fax: 631-249-8346
Duro Dyne Midwest Division, Fairfield, OH	513-870-6000	Fax: 513-870-6005
Duro Dyne West Division, Santa Fe Springs, CA	562-926-1774	Fax: 562-926-5778
Duro Dyne Canada, Lachine, Quebec, Canada	514-422-9760	Fax: 514-636-0328
www.durodyne.com E-mail: durodyne@durodyne.com		



©2012 DURO DYNE CORP.  
 Printed in the USA 6/12  
 BO000322

## RCD - ROUND CEILING DIFFUSER PERFORMANCE DATA

Face Velocity		300	400	500	600	700	800	900	1000
Pressure Loss		.006	.010	.016	.022	.031	.040	.050	.062
Neck Size 6" Ak .135	CFM		55	65	80	95	105	120	135
	Throw		2.5	3.0	3.5	4.0	4.5	5.0	5.5
Neck Size 8" Ak .225	CFM	70	90	115	135	160	180	200	225
	Throw	2.0	3.0	3.5	4.5	5.0	5.5	6.5	7.0
Neck Size 10" Ak .345	CFM	105	140	175	210	240	275	310	345
	Throw	2.5	3.5	4.5	5.0	6.0	7.0	8.0	8.5
Neck Size 12" Ak .500	CFM	150	200	250	300	350	400	450	500
	Throw	3.0	4.0	5.0	6.0	7.5	8.5	9.0	10.5
Neck Size 14" Ak .625	CFM	190	250	315	375	440	500	565	625
	Throw	3.5	4.5	5.5	6.5	8.0	9.0	10.0	11.0
Neck Size 18" Ak 1.040	CFM	310	415	520	625	730	830	935	1040
	Throw	4.5	6.0	7.0	8.5	10.0	11.5	13.0	14.5

Terminal Velocity of 50 FPM

Duro Dyne East Division, Bay Shore, NY	631-249-9000	Fax: 631-249-8346
Duro Dyne Midwest Division, Fairfield, OH	513-870-6000	Fax: 513-870-6005
Duro Dyne West Division, Santa Fe Springs, CA	562-926-1774	Fax: 562-926-5778
Duro Dyne Canada, Lachine, Quebec, Canada	514-422-9760	Fax: 514-636-0328
www.durodyne.com E-mail: durodyne@durodyne.com		



©2012 DURO DYNE CORP.  
Printed in the USA 6/12  
BO000322



# SHEET METAL CONNECTORS, INC.

**MINNEAPOLIS, MN**  
 5850 Main Street N.E.  
 Minneapolis, Minnesota 55432  
 LOCALLY CALL: 763-572-0000  
 TOLL FREE: 1-800-328-1966  
 FAX: 763-572-1100

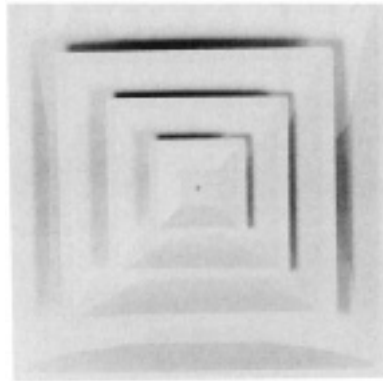
[www.smduct.com](http://www.smduct.com)

**ROCKFORD, IL**  
 5601 Sandy Hollow Road  
 Rockford, Illinois 61109  
 LOCALLY CALL: 815-874-4600  
 TOLL FREE: 1-866-504-4600  
 FAX: 815-874-9979



Submission Sheet

## FIXED PATTERN DIFFUSERS 3 CONE SERIES



- Provides high volume of air delivery
- 360° air diffusion
- Formed steel back panel
- Removable core
- Damper adjusted through diffuser face to allow proper air balancing
- Heavy gauge steel plenum
- Accepts butterfly damper (3800 Series) inserted in collar
- Prestige white finish
- Seismic tabs
- Calculations based on neck velocity

### 3 Cone Series High Volume T-Bar Diffusers

UNIT SIZE	OVERALL SIZE	NECK VELOCITY	400	500	600	700	800	900	1000	1200	1400	1600
6" An .20 Ak .78	23 3/4 x 23 3/4	Cfm	80	100	120	135	155	175	195	235	275	315
		Ps	.008	.012	.017	.021	.028	.035	.043	.063	.086	.112
		Nc	<20	<20	<20	<20	<20	<20	20	25	30	35
		Throw	2	3	3	3.5	4	4.5	5	6	7	8
7" An .27 Ak .85	23 3/4 x 23 3/4	Cfm	110	135	160	190	215	240	270	320	375	415
		Ps	.009	.013	.019	.025	.033	.042	.051	.074	.101	.131
		Nc	<20	<20	<20	<20	<20	20	25	30	35	40
		Throw	3	4	4.5	5	6	7	8	9	10.5	12.5
8" An .35 Ak 1.20	23 3/4 x 23 3/4	Cfm	140	175	210	245	280	315	350	720	490	560
		Ps	.010	.015	.022	.029	.038	.049	.060	.086	.117	.150
		Nc	<20	<20	<20	<20	20	25	30	35	40	45
		Throw	3.5	4.5	5.5	6.5	7	8	9	10.5	12.5	14.5
9" An .44 Ak 1.65	23 3/4 x 23 3/4	Cfm	180	220	265	310	350	390	440	525	610	700
		Ps	.012	.018	.026	.035	.046	.058	.072	.104	.145	.181
		Nc	<20	<20	<20	20	25	30	35	40	42	45
		Throw	4.5	5.5	6.5	8	9.5	10.5	12	14.5	16.5	19
10" An .54 Ak 1.65	23 3/4 x 23 3/4	Cfm	220	270	325	380	435	490	545	655	765	870
		Ps	.014	.021	.030	.041	.054	.068	.084	.122	.167	.212
		Nc	<20	<20	<20	20	25	30	35	35	40	45
		Throw	5.5	7	8.5	10	11	12.5	14	17	19.5	22
12" An .78 Ak 1.65	23 3/4 x 23 3/4	Cfm	315	390	470	550	630	705	785	940	1100	1255
		Ps	.015	.023	.033	.045	.060	.072	.094	.132	.180	.230
		Nc	<20	<20	20	25	30	35	35	40	45	>45
		Throw	6	7.5	9	10.5	12	13.5	15	18	21	24
14" An 1.07 Ak 2.06	23 3/4 x 23 3/4	Cfm	430	535	640	750	855	960	1070	1285	1500	1700
		Ps	.023	.036	.051	.071	.093	.115	.140	.205	.277	.350
		Nc	<20	<20	20	25	30	35	40	40	45	>45
		Throw	6.5	8	9.5	11.5	13	14.5	16	19	22.5	25

Terminal Velocity of 75 fpm



# SHEET METAL CONNECTORS, INC.

**MINNEAPOLIS, MN**  
 5850 Main Street N.E.  
 Minneapolis, Minnesota 55432  
 LOCALLY CALL: 763-572-0000  
 TOLL FREE: 1-800-328-1966  
 FAX: 763-572-1100

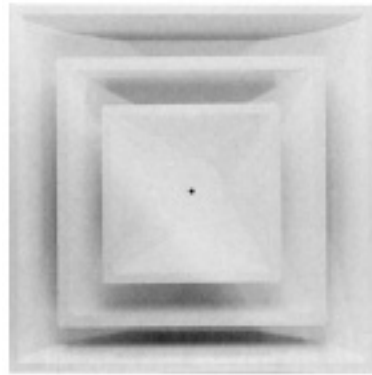
[www.smduct.com](http://www.smduct.com)

**ROCKFORD, IL**  
 5601 Sandy Hollow Road  
 Rockford, Illinois 61109  
 LOCALLY CALL: 815-874-4600  
 TOLL FREE: 1-866-504-4600  
 FAX: 815-874-9979



Submission Sheet

## FIXED PATTERN DIFFUSERS 2 CONE SERIES



- Provides high volume of air delivery
- 360° air diffusion
- Formed steel back panel
- Removable core
- Damper adjusted through diffuser face to allow proper air balancing
- Heavy gauge steel plenum
- Accepts butterfly damper (3800 Series) inserted in collar
- Prestige white finish
- Seismic tabs
- Calculations based on neck velocity

### 2 Cone Series High Volume T-Bar Diffusers

UNIT SIZE	OVERALL SIZE	NECK VELOCITY	400	500	600	700	800	900	1000	1200	1400	1600
6" An .20 Ak .78	23 3/4 x 23 3/4	Cfm	80	100	120	135	155	175	195	235	275	315
		Ps	.008	.012	.017	.021	.028	.035	.043	.063	.086	.112
		Nc	<20	<20	<20	<20	<20	<20	20	25	30	35
		Throw	2	3	3	3.5	4	4.5	5	6	7	8
7" An .27 Ak .85	23 3/4 x 23 3/4	Cfm	110	135	160	190	215	240	270	320	375	415
		Ps	.009	.013	.019	.025	.033	.042	.051	.074	.101	.131
		Nc	<20	<20	<20	<20	<20	20	25	30	35	40
		Throw	3	4	4.5	5	6	7	8	9	10.5	12.5
8" An .35 Ak 1.20	23 3/4 x 23 3/4	Cfm	140	175	210	245	280	315	350	720	490	560
		Ps	.010	.015	.022	.029	.038	.049	.060	.086	.117	.150
		Nc	<20	<20	<20	<20	20	25	30	35	40	45
		Throw	3.5	4.5	5.5	6.5	7	8	9	10.5	12.5	14.5
9" An .44 Ak 1.65	23 3/4 x 23 3/4	Cfm	180	220	265	310	350	390	440	525	610	700
		Ps	.012	.018	.026	.035	.046	.058	.072	.104	.145	.181
		Nc	<20	<20	<20	20	25	30	35	40	42	45
		Throw	4.5	5.5	6.5	8	9.5	10.5	12	14.5	16.5	19
10" An .54 Ak 1.65	23 3/4 x 23 3/4	Cfm	220	270	325	380	435	490	545	655	765	870
		Ps	.014	.021	.030	.041	.054	.068	.084	.122	.167	.212
		Nc	<20	<20	<20	20	25	30	35	35	40	45
		Throw	5.5	7	8.5	10	11	12.5	14	17	19.5	22
12" An .78 Ak 1.65	23 3/4 x 23 3/4	Cfm	315	390	470	550	630	705	785	940	1100	1255
		Ps	.015	.023	.033	.045	.060	.072	.094	.132	.180	.230
		Nc	<20	<20	20	25	30	35	35	40	45	>45
		Throw	6	7.5	9	10.5	12	13.5	15	18	21	24
14" An 1.07 Ak 2.06	23 3/4 x 23 3/4	Cfm	430	535	640	750	855	960	1070	1285	1500	1700
		Ps	.023	.036	.051	.071	.093	.115	.140	.205	.277	.350
		Nc	<20	<20	20	25	30	35	40	40	45	>45
		Throw	6.5	8	9.5	11.5	13	14.5	16	19	22.5	25

Terminal Velocity of 75 fpm