



SHEET METAL CONNECTORS, INC.

MINNEAPOLIS, MN
5850 Main Street N.E.
Minneapolis, Minnesota 55432
LOCALLY CALL: 763-572-0000
TOLL FREE: 1-800-328-1966
FAX: 763-572-1100

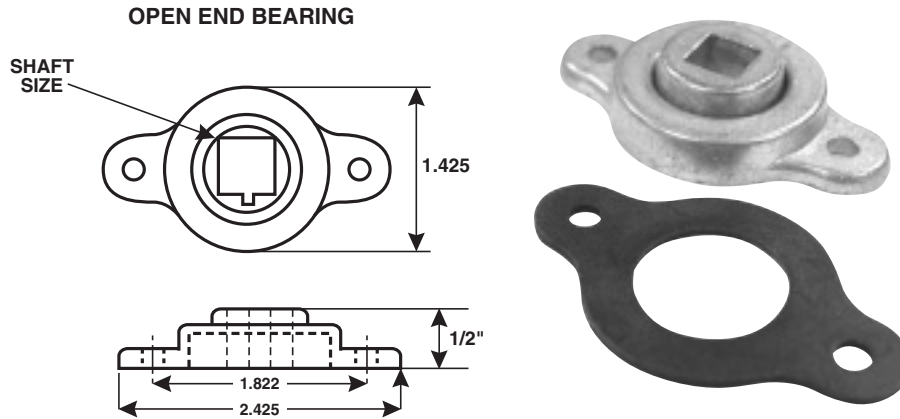
www.smcdct.com

ROCKFORD, IL
5601 Sandy Hollow Road
Rockford, Illinois 61109
LOCALLY CALL: 815-874-4600
TOLL FREE: 1-866-504-4600
FAX: 815-874-9979



Submittal Sheet

ENGINEERED END BEARING



Elgen's Engineered End Bearings are designed for low leakage applications. The regulator is made from a die cast of Zamac #3 (see below) instead of steel. The die cast alloy core is made with serratoins.

Zamac #3

Composition: (95% zinc (ASTM weight), 4.3% aluminum, 0.2% copper, 0.3% magnesium, 0.1% impurities).

Physical Properties: Temperature melting point - 728°F
Thermal expansion, per °F - 0.0000152
Compression strength, psi - 60,000
Tensile strength, psi - 41,000
Shearing strength, psi - 31,000

Corrosion Resistant to: Oxygen, Nitrogen, Carbon Dioxide, Inert Gases,
Bi-metallic combination, Organic Chemicals, and Rust proof.

OPEN END BEARING

<u>Model #:</u>	<u>Shaft Size:</u>
E101	3/8"
E102	1/2"