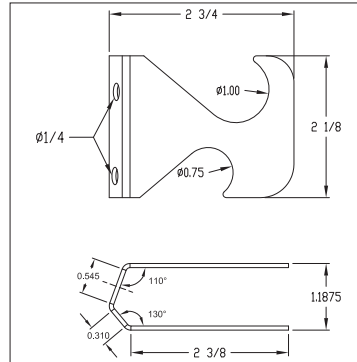


CONDUIT CROSS-CLAMP



Product Data Sheet



Description

Elgen's Conduit Cross Clamp used in fastening the conduit together when they are near from two directions inside a rectangular ductwork.

Features

Provide a secure and tight fit for 1/2" or 3/4" conduit connections

Standard Construction

Manufactured using 14 GA zinc-plated steel

Hex Head Bolt- 1/4-20 x 11/16" Grade 2 zinc plated steel

Packaging

Stud Size	Qty Per Box
1/2" or 3/4"	250

Guarantee

All Elgen products are guaranteed by Elgen Manufacturing against defective material.

Elgen Manufacturing
10 Railroad Ave, Closter NJ 07624
Tel: 800.503.9805 :: Fax: 201.964.9030
info@elgenmfg.com :: www.elgenmfg.com