



# Sheet Metal Connectors, Inc.

## HVAC ACCESSORY PRICE CATALOG

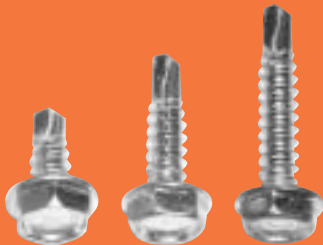
JANUARY 1, 2004  
CONTRACTOR PRICES



**POLYKEN TAPES**



**ELGEN PRODUCTS**



**TEK & ZIP SCREWS**



**DP1010 DUCT SEALANT**

**MINNEAPOLIS, MN**  
5850 Main Street N.E.  
Minneapolis, MN 55432  
LOCALLY CALL: 763-572-0000  
TOLL FREE: 1-800-328-1966  
FAX: 763-572-1100

**ROCKFORD, IL**  
5601 Sandy Hollow Road  
Rockford, IL 61109  
LOCALLY CALL: 815-874-4600  
TOLL FREE: 1-866-504-4600  
FAX: 815-874-9979

# TABLE OF CONTENTS

Duct Sealant, Duct Liner Adhesive, Brushes .....	1
Duct Tape; Gray, Foil & PVC .....	2
Insulated Flex, Nylon Ties, Tensioning Tool .....	3
Sheet Metal Screws; TEK & Zip .....	4
Mechanical System Hanger, Clutcher, Beam Clamp, Wire Rope .....	5
Wire Mesh (Bird Screen) .....	6
Flexible Duct Connector .....	7
Damper Hammer on Regulators, Standoff Regulators .....	8
Damper Regulators and Sets .....	9
Damper End Bearings .....	10
Duct Caps (Clean Duct) .....	11
Cut to Length, Condu-Lok™, Condu-Clamp .....	12
Access Doors .....	13
Full Blast Gates .....	14
Fixed Pattern Diffusers .....	15
Aluminum Louvers (Egg Crate) .....	16

## TERMS AND CONDITIONS

All Shipments F.O.B. Minneapolis  
No Returns Unless Authorized By Factory  
10% Return Charge On Unopened Cartons and Full Bundles  
25% Charge On Broken Cartons and Bundles  
No Returns Accepted On Material In Other Than New Condition  
All Accounts Past Due Subject To A Finance Charge Of 1 1/2% Per Month

**PRICES SUBJECT TO CHANGE WITHOUT NOTICE**



**SHEET METAL CONNECTORS, INC.**



# DESIGN POLYMERICS



## DP1010 WATER BASED DUCT SEALANT - Gray

A smooth, water based, premium quality, U.L. 181 Classified, high velocity duct sealant for commercial and residential use.

### Recommended Uses:

- Sealing metal joints on air duct where a smooth finish is desired
- Sealing connections on flexible duct or fiberglass duct board
- Intended for use on duct systems which do not exceed 15 inches water column pressure

**\$2.25 / 1/12 gallon single cartridge**

**\$1.80 / 1/12 gallon 25 case lot**

**\$14.25 / gallon**



## DP2501 WATER BASED DUCT LINER ADHESIVE - Clear

A water based, premium quality U.L. Classified duct liner adhesive.

DP 2501 is specifically formulated for roller and low pressure spray applications.

### Recommended Uses:

- Bonding fibrous duct liner installation to galvanized duct work
- Sealing cut edges of fiberglass insulation
- Bonding kraft backed foil coverings to fiberglass and urethane flat stock or pipe insulation
- Bonding multiple layers of fibrous insulation board

**\$49.00 / 5 gallon**

**\$400.00 / 54 gallon drum**



## DP2502 WATER BASED DUCT LINER ADHESIVE - Clear

A water based, premium quality U.L. Classified duct liner adhesive.

DP 2502 is a higher viscosity version of DP 2501. DP 2502 is specifically formulated for spray, brush, and roller applications.

### Recommended Uses:

- Bonding fibrous duct liner installation to galvanized duct work
- Sealing cut edges of fiberglass insulation
- Bonding kraft backed foil coverings to fiberglass and urethane flat stock or pipe insulation
- Bonding multiple layers of fibrous insulation board

**\$49.00 / 5 gallon**

**\$400.00 / 54 gallon drum**



## DP 2590 SOLVENT BASED SPRAY ADHESIVE

A premium quality, solvent based, fast drying, non-flammable, pressure sensitive insulation adhesive. DP 2590 is supplied in a convenient spray system which is both portable and cost effective.

### Recommended Uses:

- Bonding fiberglass duct liner to galvanized steel, stainless steel and aluminum HVAC duct
- Bonding fiberglass insulation to the exterior of galvanized steel, stainless steel and aluminum HVAC duct
- Sealing and bonding laps in HVAC duct insulation
- Adhering kraft backed foil and foil jacketing to urethane foam

**\$95.00 / 12 lb.**

**\$200.00 / 40 lb.**

**Hose - \$45.00 ea.**

**Gun - \$160.00 ea.**



## DP 77 INDUSTRIAL SPRAY ADHESIVE

Solvent based industrial strength aerosol duct liner spray adhesive.

### Recommended Uses:

- Bonding galvanized metal, wood, fiberglass, foam rubber, cardboard, textiles, cloth and plastics

**\$3.75 / can**



## 2" CHIP BRUSH

**\$0.75 ea.**



**SHEET METAL CONNECTORS, INC.**

# POLYKEN®

## Duct Tape



Product Number	Description/Application	Colors	Adhesive	Total Thickness mils (mm)	Tensile Strength lbs/in (kg/cm)	Adhesion To Steel ozs/in (g/cm)	Price
<b>229</b>	Heavy duty contractor grade duct tape with extra thick adhesive for conformability. <b>Meets UL 723.</b>	Silver	Natural Rubber	12.0 (0.30)	25 (4.45)	70 (784)	\$5.50/roll
<b>330</b>	All-weather duct tape, working temperature range of -30°F to 260°F, plain dead soft aluminum foil, extremely conformable.	Aluminum	Acrylic	3.5 (0.08)	20 (3.56)	45 (504)	\$6.00/roll
<b>339 Printed</b>	Dead-soft aluminum foil backed duct tape for fiberglass duct systems. <b>UL 181 A-P approved.</b>	Aluminum	Acrylic	4.4 (0.11)	25 (4.45)	72 (806)	\$10.75/roll
<b>557 Printed</b>	Premium performance duct tape specially engineered for flex duct systems. <b>Meets UL 181B-FX &amp; UL 723.</b>	Silver	Natural Rubber	14.0 (0.36)	45 (8.01)	50 (560)	\$8.00/roll
<b>827</b>	Tough PE backing can be marked for easy ID and resists chemical deterioration.	White	Synthetic Rubber	8.0 (0.20)	23 (4.11)	60 (672)	\$10.00/roll

Submittal sheets available from factory.



**SHEET METAL CONNECTORS, INC.**

# ATCO

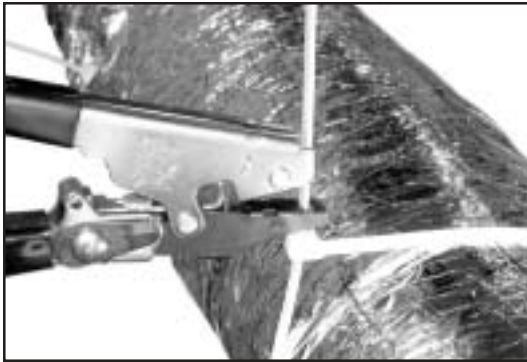
## R4.2 Insulated Flexible Duct



Diameter	Price Per Carton	Diameter	Price Per Carton
4"	\$13.25	10"	\$23.75
5"	\$15.50	12"	\$30.00
6"	\$16.25	14"	\$37.50
7"	\$18.25	16"	\$45.00
8"	\$18.75	18"	\$55.00
9"	\$23.50	20"	\$65.00

Pallet quantity pricing available - Consult factory.

## Heavy Duty Flexible Duct Ties



Size	Price Per Package	Quantity Per Package
36" Nylon Ties	\$6.25 ea.	25 ea.
48" Nylon Ties	\$11.25 ea.	25 ea.

## Tensioning Tool









Adjustable Auto Cut-Off  
High Leverage

**\$40.00**



**SHEET METAL CONNECTORS, INC.**

# Teks & Zips Sheet Metal Screws

TEK Screws		
10 x 1/2"		\$12.45/1000
10 x 3/4"		\$14.40/1000
10 x 1"		\$17.65/1000
Zip Screws		
8 x 1/2"		\$9.85/1000
8 x 3/4"		\$10.85/1000
8 x 1"		\$13.85/1000

1,000 and 5,000 per carton



**SHEET METAL CONNECTORS, INC.**

## Mechanical System Hanger Clutcher



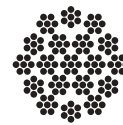
Item	Description	Load Rating	Quantity	Price
CL20	#20 Clutcher	176#	150/box	\$2.25 ea.
CL20	#20 Clutcher	176#	15/bag	\$2.50 ea.

## EZ-Lock Wire Rope Beam Clamp



Item	Description	Load Rating	Quantity	Price
EZLB20	EZ-Lock #20 Beam Clamp	176#	40/box	\$3.00 ea.
EZLB20	EZ-Lock #20 Beam Clamp	176#	5/bag	\$3.25 ea.

## Wire Rope 7 x 7 Wire Rope



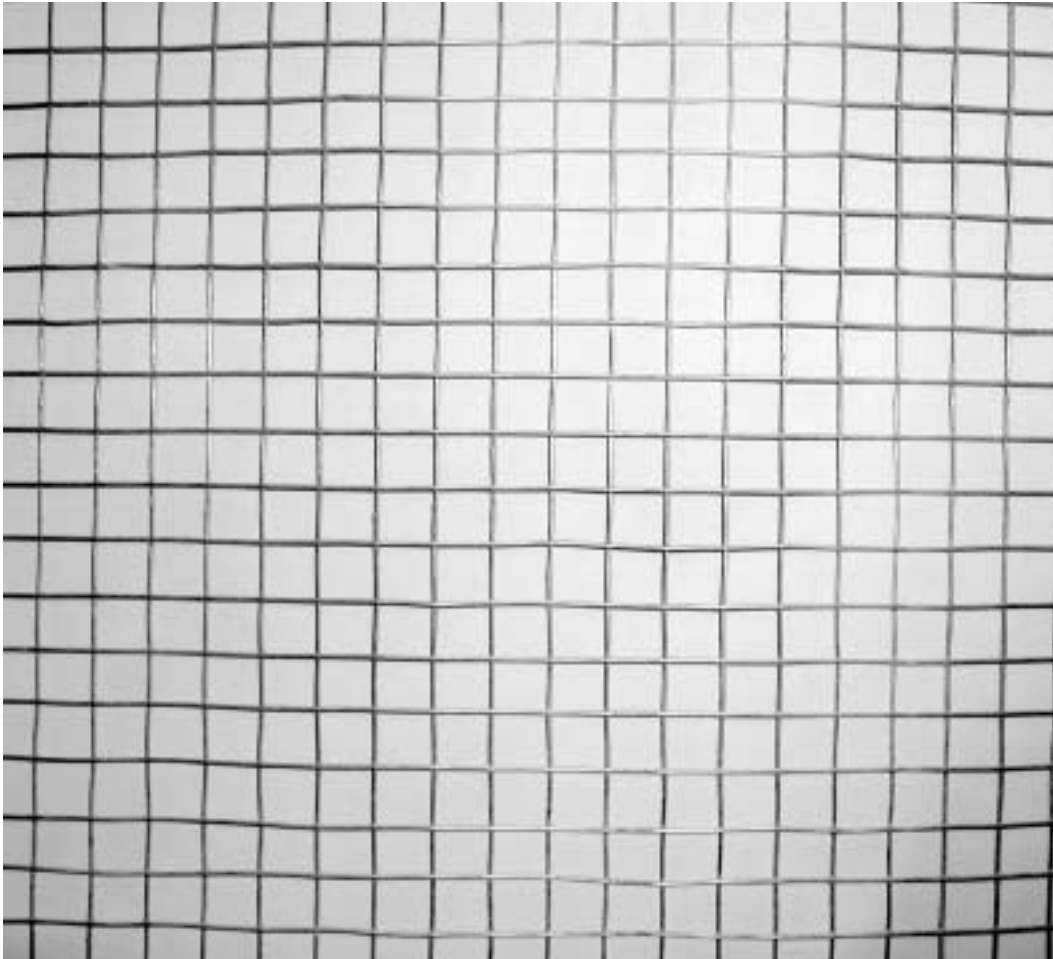
Item	Description	Specified Breaking Load	Length	Price
WR20/500	#20 Wire Rope	1697 lbs.	500' spool	\$53.00/spool
WR20/2000	#20 Wire Rope	1697 lbs.	2000' spool	\$210.00/spool



**SHEET METAL CONNECTORS, INC.**

## Wire Mesh (Bird Screen)

Sheet Metal Connectors, Inc. now stocks galvanized and stainless steel wire mesh.



Size	Material	Quantity	Price
1/2" x 1/2" x 4'	Galvanized	100'/roll	\$105.00/roll
1/2" x 1/2" x 5'	Galvanized	100'/roll	\$125.00/roll
1/2" x 1/2" x 4'	Stainless Steel	100'/roll	\$225.00/roll



**SHEET METAL CONNECTORS, INC.**





## Flexible Duct Connector

**Elgen® 100 ft. rolls – 4 x 4 x 4 - TDC.....\$110.00/roll**

**Elgen® 100 ft. rolls – 3 x 3 x 3 - equal to MBX.....\$90.00/roll**

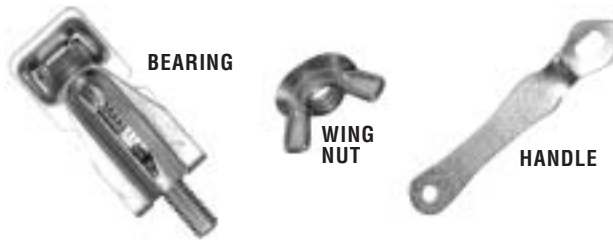
**Elgen® Stainless – 3 x 3 x 3..... \$238.00/roll**

**Elgen® Aluminum – 3 x 3 x 3..... \$182.00/roll**

**Elgen® Jr. Canvas – 2 x 3 x 2..... \$65.00/roll**



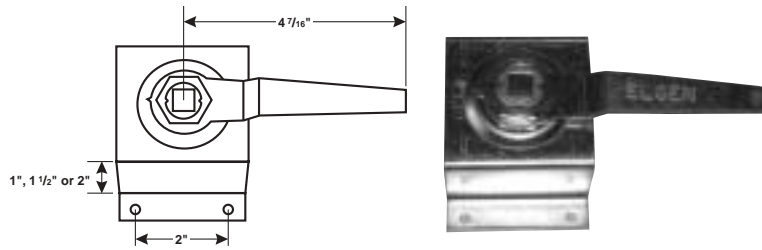
## Hammer-On Regulator Sets



Carton Qty	Price Per Set
25	\$1.00

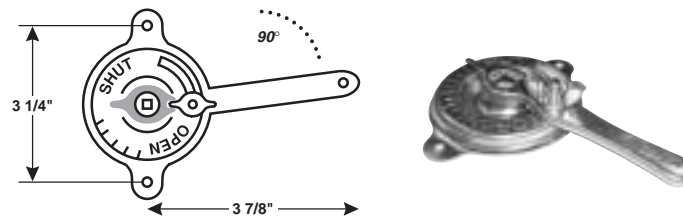
Special pricing available for quantities over 100 sets - Consult factory.

## "Standoffs" Elgen's Elevated Damper Regulator



Model #	Base Height	Stands Off Duct	Shaft Size	Carton Qty	Weight per 25	Price
E124	1"	1 - 1/8"	3/8"	25	12	\$1.70 ea.
E125	1 - 1/2"	1 - 5/8"	3/8"	25	12	\$1.70 ea.
E126	2"	2 - 1/8"	3/8"	25	12	\$2.10 ea.

## Elgen's Regulators and Sets



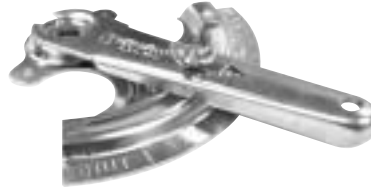
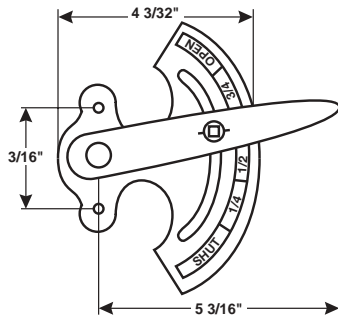
### 3/8" Dial Regulators and Sets for Dampers to 20"

Model #	Description	Carton Qty	Price
RP-3	3/8" Regulator	100	\$1.05 ea.



**SHEET METAL CONNECTORS, INC.**

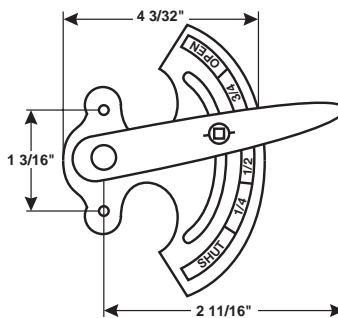
## Elgen Regulators and Sets



### 3/8" Quadrant Regulators and Sets for Dampers to 20"

Model #	Description	Carton Qty	Price
RP-4	Retractable Bearing/Square Hole/Stamped Handle	100	\$1.60 ea.

## Elgen Regulators and Sets

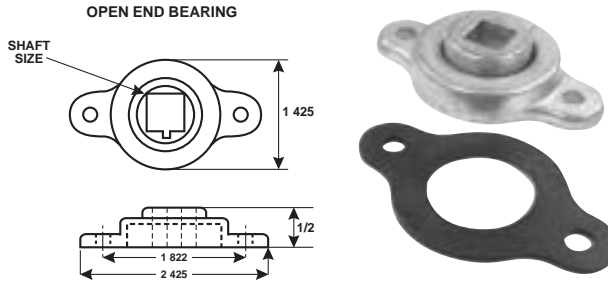


### 1/2" Quadrant Regulators and Sets for Dampers to 30"

Model #	Description	Carton Qty	Price
RP-5	1/2" Quadrant/Square Hole/Stamped Handle	100	\$2.50 ea.

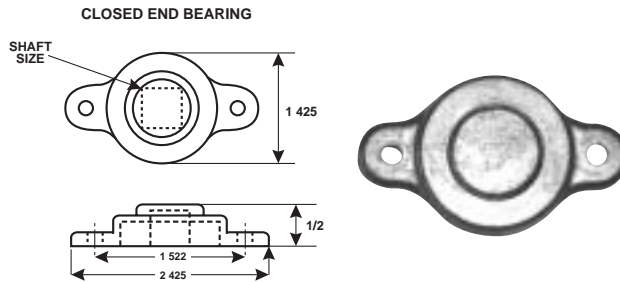


# Elgen's Engineering End Bearing Line



### Open End Bearing / Gasket included

Model #	Shaft Size	Carton Qty	Price
E101	3/8"	25	\$1.00 ea.
E102	1/2"	25	\$1.00 ea.



### Closed End Bearing / Gasket included

Model #	Shaft Size	Carton Qty	Price
E104	3/8"	25	\$1.10 ea.
E105	1/2"	25	\$1.30 ea.



Bi-Level Handle stands off duct 3/8"

### Acorn Nut Handle Regulator / Gasket included

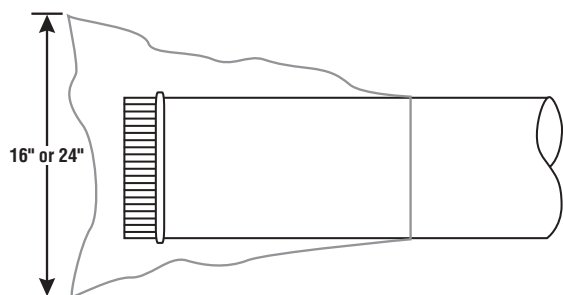
Model #	Shaft Size	Carton Qty	Price
E113	3/8"	25	\$3.50 ea.



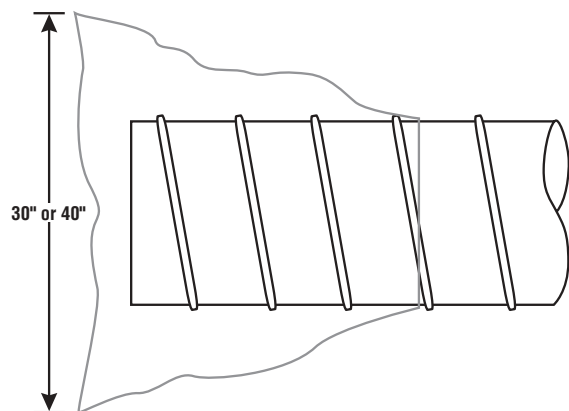
**SHEET METAL CONNECTORS, INC.**

# Ductcap

Ductcap™ is designed to meet mechanical engineers specifications. When using Ductcap™ to cover all round duct-wall penetrations it will keep moisture, dirt, particles, dust and debris from entering the air handling system. This is done without tape, screws or nylon ties. Ductcap™ is inexpensive, labor saving and reusable! The use of Ductcap™ will save time, money and will enable contractors to deliver a better product to their customers.



Size	Carton Qty	Price
6" to 10"	25	\$23.25 per carton
10" to 14"	25	\$28.25 per carton

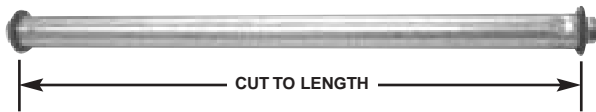


Size	Carton Qty	Price
14" to 18"	25	\$62.50 per carton
18" to 24"	25	\$78.75 per carton
24" to 30"	25	\$90.00 per carton
30" to 38"	25	\$100.00 per carton



## Tie Rod Reinforcement

Sheet Metal Connectors Tie Rod Reinforcements are available Cut-To-Length. Manufactured using 1/2" electrical conduit (EMT) with 5/16" threaded inserts installed on each end. These Tie Rod Reinforcements are used for both mid panel and joint reinforcement. When using internal tie rods you may reduce the thickness of the duct wall. Always refer to SMACNA recommendations. Tie rods are also available in 3/4". Other lengths and diameters available, consult factory for prices.

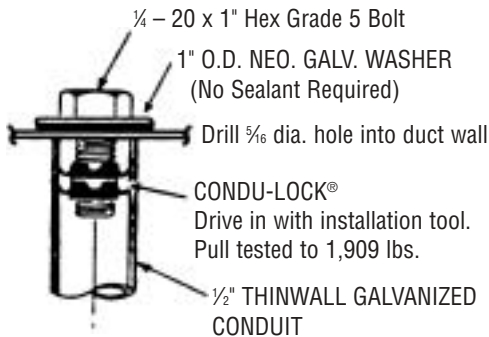


Conduit Size	Cut To Length	Price	Conduit Size	Cut To Length	Price
1/2"	12"	\$3.50 ea.	1/2"	26"-30"	\$4.00 ea.
1/2"	14"	\$3.60 ea.	1/2"	32"-40"	\$4.20 ea.
1/2"	16"-20"	\$3.70 ea.	1/2"	42"-46"	\$4.60 ea.
1/2"	22"-24"	\$3.90 ea.	1/2"	48"	\$5.30 ea.

Other lengths available - consult factory.

## Condu-Lock

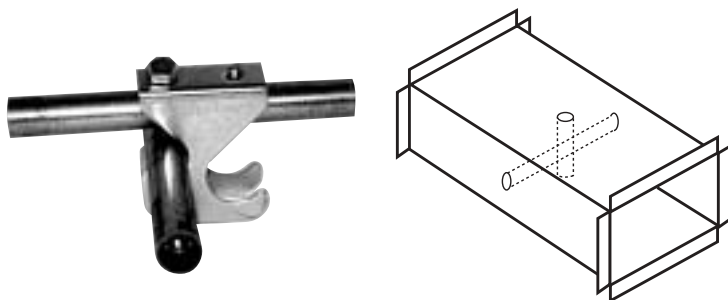
Condu-Locks are threaded inserts that are installed into the ends of electrical conduit (EMT). They are available for both 1/2" and 3/4" EMT. Cut the conduit to duct size. Drive the Condu-Lock into each end using the installation tool. Then install into duct.



Quantity	Price	Quantity per Package
250-999	.37 ea.	250 ea.
1000-4999	.35 ea.	250 ea.
5000+	.32 ea.	250 ea.
1/2" x 10' Electrical Conduit .22/foot		
3/4" x 10' Electrical Conduit .38/foot		

## ConduClamp

When tie rods occur in two directions in the same vicinity, they can be permanently fastened together using ConduClamp. ConduClamps are for both 1/2" and 3/4" EMT.



Size	Price
1/2" - 3/4"	\$1.00



**SHEET METAL CONNECTORS, INC.**

## Access Doors



**Round Spiral Ductwork**



**Rectangular Ductwork**

Door Size	Gauge	Price
10"x 6" on Round (6"-16")	22 ga. Galvanized	\$17.00
16"x 12" on Round (18"-30")	20 ga. Galvanized	\$22.25
10"x 6" on Flat	22 ga. Galvanized	\$15.00
16"x 12" on Flat	20 ga. Galvanized	\$20.50
10"x 6" on Flat	16 ga. Black Iron	\$37.50
16"x 12" on Flat	16 ga. Black Iron	\$51.00

Cellular Sponge Gasket, fixed to the inner plate, keeps the doors free of leaks at pressures tested to 20" w.g. Access Doors are also available in Stainless Steel (304 or 316), Aluminum and PVC Coated. 16 gauge black Iron doors are recommended for kitchen exhaust systems.



## Full Blast Gates



Size	Price
2"	\$5.00
3"	\$6.00
4"	\$8.00
5"	\$11.00
6"	\$13.00
7"	\$16.00
8"	\$20.00
10"	\$32.00
12"	\$36.00
14"	\$56.00
16"	\$65.00
18"	\$130.00
20"	\$160.00
22"	\$170.00
24"	\$180.00

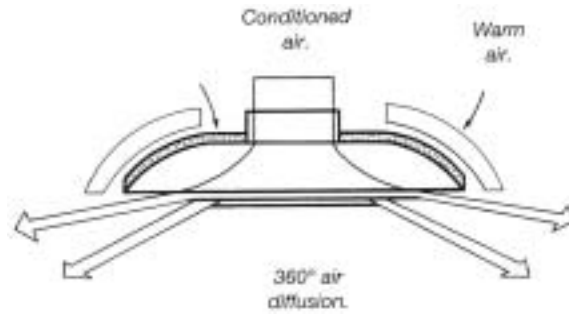
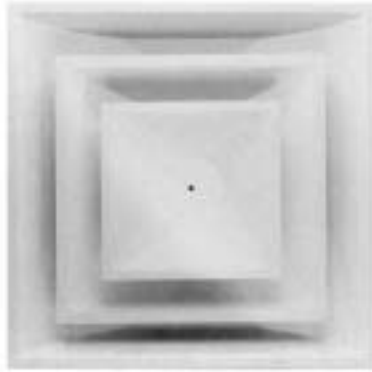
Other sizes and materials are available. Consult factory.



**SHEET METAL CONNECTORS, INC.**

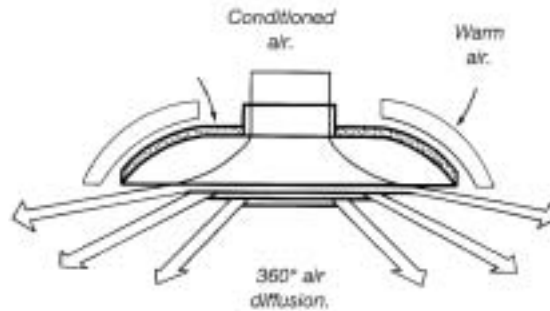


## Fixed Pattern Diffusers



### 2 Cone Series

Sizes: 6", 7", 8", 9", 10", 12", 14"  
Price: \$19.50 each



### 3 Cone Series

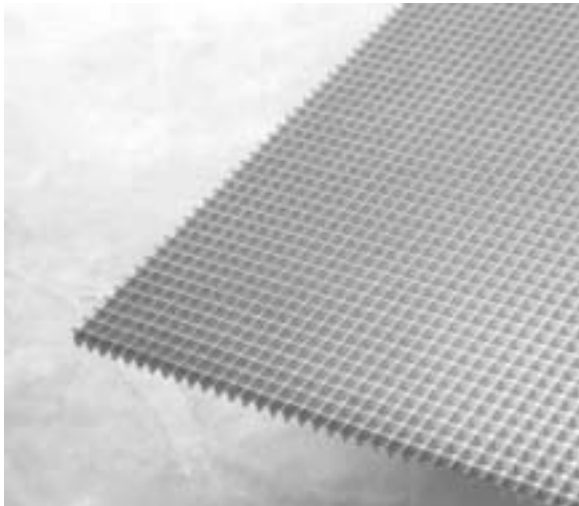
Sizes: 6", 7", 8", 9", 10", 12", 14"  
Price: \$21.00 each

Many other registers available. Contact factory for more information.



**SHEET METAL CONNECTORS, INC.**

# Louvers International Aluminum Louvers (egg crate)



Description: Aluminum Louvers are engineered to be of the finest quality and offer a wide range of available sizes. The open grid design allows air to circulate freely, making this an ideal medium combining light control, air control, and aesthetics.

Aluminum Louvers are non-flammable, open grid material and may be installed under sprinklers in accordance with all fire codes.

Size	Price Each
2' x 6"	\$5.40
2' x 1'	\$9.00
2' x 2'	\$15.75
2' x 4'	\$26.50





**Sheet Metal Connectors, Inc.**  
5850 Main Street N.E.  
Minneapolis, Minnesota 55432-5439