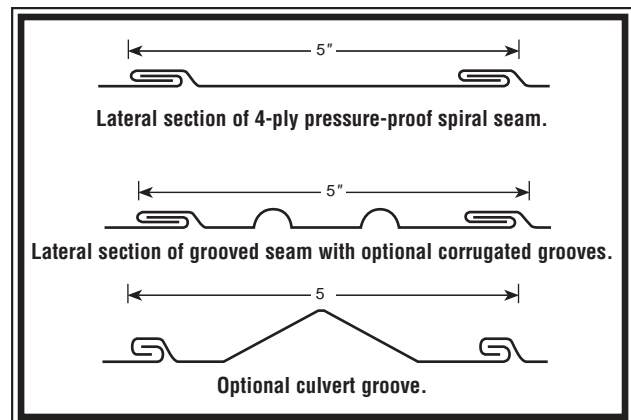


The E-Z Flange Spiral Pipe System

Sheet Metal Connectors, Inc. E-Z Flange spiral pipe and fittings are one part of our complete line of HVAC products. The spiral pipe is formed from a coil of metal into a rigid tube with a 4-ply lockseam. It has a smooth interior low friction loss with the grooved seam entirely on the outside. This pipe has a resistance to crushing approximately 2 1/2 times that of longitudinal lockseam or welded pipe. Optional corrugations are available which increase the rigidity of the pipe by approximately 300%. Pipe sections are joined together by an E-Z Flange Jr. or an E-Z Flange with barrel clamp, which exceeds ASHRAE and SMACNA Class 3 Leakage Tests.



E-Z Flange Jr. with Barrel Clamp 6" – 24" Diameter

DIAMETER	MATERIAL	THICKNESS	ASTM	TYPE	LENGTH
6" - 24"	Galvanized	26 - 20 gauge	A-653	G60-G90	1' - 20'; 9' 11" Standard
6" - 24"	Paint Grip	24 - 20 gauge	A-653	A60	1' - 20'; 9' 11" Standard
6" - 24"	PVS	24 - 20 gauge	A-653	4 x 1, 4 x 4	1' - 20'; 9' 11" Standard
6" - 24"	Aluminum	.032 - .048	B-316	3003 H-14	1' - 20'; 9' 11" Standard

E-Z Flange with Barrel Clamp 26" – 96" Diameter

DIAMETER	MATERIAL	THICKNESS	ASTM	TYPE	LENGTH
26" - 96"	Galvanized	26 - 14 gauge	A-653	G60-G90	1' - 20'; 10' Standard
26" - 96"	Paint Grip	24 - 18 gauge	A-653	A60	1' - 20'; 10' Standard
26" - 96"	PVS	24 - 16 gauge	A-653	4 x 1, 4 x 4	1' - 20'; 10' Standard
26" - 96"	Aluminum	.032 - .063	B-316	3003 H-14	1' - 20'; 10' Standard



Note: SMACNA Testing and Research Institute verified that Sheet Metal Connectors, Inc. shop standards comply with the 1995-2nd edition of the SMACNA HVAC Duct Construction Standards.

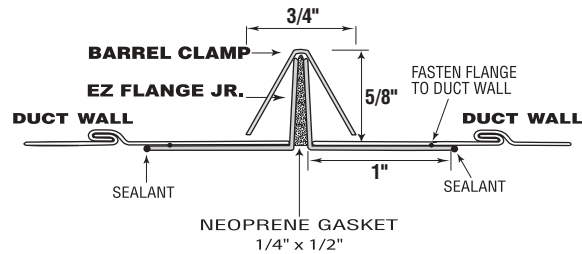


SHEET METAL CONNECTORS, INC.

MARCH 2004

E-Z Flange Jr. with Barrel Clamp Field Cut Set

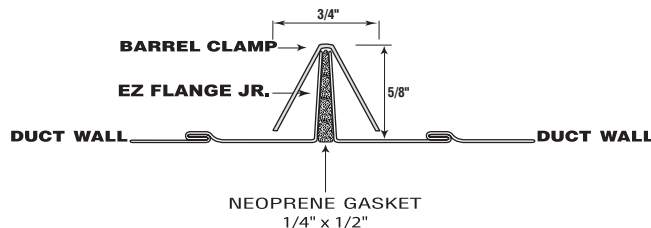
- E-Z Flange Jr. sets are fabricated to fit inside the spiral pipe and fittings ranging from 6" to 24" diameter
- Manufactured from 22 gauge galvanized material meeting specifications ASTM A-653 (lock forming quality)
- Also available in PVS, aluminum, and paint grip materials upon request
- E-Z Flange Jr. can be installed on site
- Ducts can be disassembled and reassembled
- E-Z Flange Jr. is assembled using a barrel clamp system that locks together with two 3/8" carriage bolts, no screws are required.
- E-Z Flange Jr. can be used on single wall, double wall.
- Virtually no leakage at traverse connection, test data available.
- Sold in sets only, a set consists of 2 flanges and 1 barrel clamp



E-Z Flange Jr. Spiral Pipe System

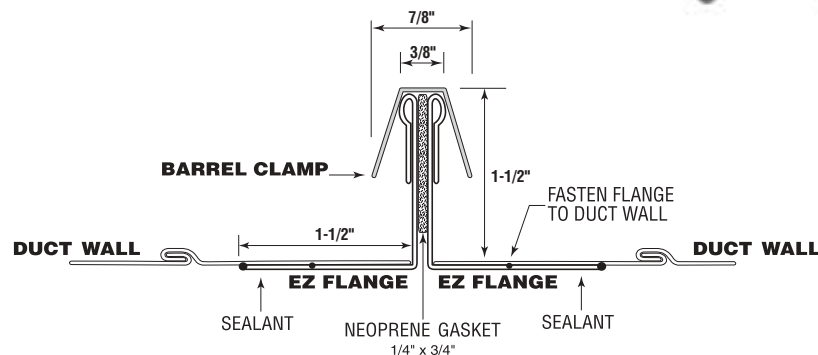
The E-Z Flange Jr. Spiral Pipe System has a 5/8" flange roll formed directly on the ends of the spiral pipe and fittings. Since the flange is part of the pipe and fittings, it adds rigidity and there is no chance for leakage. With no protrusions in the air stream to disrupt the airflow, the E-Z Flange Jr. Spiral Pipe System is much more efficient than any other self sealing system.

The E-Z Flange Jr. Spiral Pipe System is assembled by applying a gasket to one flange, mating the two flanges together, and attaching the barrel clamp. The E-Z Flange Jr. Spiral Pipe System is sealed so tight that it out performs both ASHRAE and SMACNA Leakage Class 3 Testing. There is virtually no leakage at the transverse connections (test data available).



E-Z Flange with Barrel Clamp

- E-Z Flanges are fabricated to fit inside spiral pipe and fittings ranging from 26" to 96" in diameter
- Manufactured from 16 gauge galvanized material meeting specifications ASTM A-653 (lock forming quality)
- Also available in PVS, aluminum, and paint grip materials upon request
- E-Z Flanges can be installed on site or factory installed
- Ducts can be disassembled and reassembled
- E-Z Flanges are assembled using a barrel clamp system that locks together with two 3/8" carriage bolts, no screws are needed.
- E-Z Flange can be used on single wall, double wall and flat oval ductwork
- Virtually no leakage at transverse connection, test data available



E-Z Flange Spiral Pipe System

The E-Z Flange Spiral Pipe System has factory installed flanges on the ends of the spiral pipe and fittings which adds strength and rigidity to the system. The flanges are attached by either spotwelds or button lock, there are no screws protruding into the air stream. Factory installed E-Z Flanges are sealed internally making an airtight and better looking connection.

The E-Z Flange Spiral Pipe System is assembled by applying a gasket to one flange, mating the two flanges together, and attaching the barrel clamp. The E-Z Flange Spiral Pipe System is sealed so tight that it out performs both ASHRAE and SMACNA Leakage Class 3 Testing. There is virtually no leakage at the transverse connections (test data available).



SHEET METAL CONNECTORS, INC.

Weight and Gauge Chart

Diam.	26 Gauge lbs./ft.	24 Gauge lbs./ft.	22 Gauge lbs./ft.	20 Gauge lbs./ft.	18 Gauge lbs./ft.	16 Gauge lbs./ft.
6"	1.6	2.0	2.5	3.0		
7"	1.9	2.4	2.9	3.4		
8"	2.1	2.8	3.3	3.9		
9"	2.4	3.1	3.8	4.4		
10"	2.6	3.4	4.2	4.9		
11"	2.9	3.8	4.6	5.4		
12"	3.2	4.1	5.0	5.9		
13"		4.5	5.4	6.4		
14"		4.8	5.8	6.9		
15"		5.1	6.2	7.4		
16"		5.5	6.6	7.8		
17"		5.8	7.1	8.3		
18"		6.1	7.5	8.8		
20"		6.8	8.3	9.8		
22"		7.5	9.1	10.8		
24"		8.2	9.9	11.7		
26"			10.8	12.7	16.9	20.6
28"			11.6	13.7	18.2	22.2
30"			12.4	14.6	19.5	23.8
32"			13.3	15.6	20.8	25.4
34"			14.1	16.6	22.0	26.9
36"			14.9	17.6	23.3	28.5
38"				18.5	24.6	30.1
40"				19.5	25.9	31.7
42"				20.5	27.2	33.3
44"				21.5	28.5	34.9
46"				22.5	29.8	36.4
48"				23.4	31.1	38.0
50"				24.5	32.4	39.6
52"					33.7	41.3
54"					34.8	42.9
56"					36.3	44.5
58"					37.4	46.0
60"					38.9	47.3

Standard gauges in boxed area, weights may vary slightly.

E-Z Flange Jr. is manufactured up to 20 Ga. (shown in blue).

Positive Pressure

Bursting Pressure various gauges of spiral tubing

Diam.	26 Gauge	24 Gauge	22 Gauge	20 Gauge	18 Gauge
6"	199	252	308	363	
7"	169	216	262	309	
8"	145	186	224	264	
9"	127	161	196	230	
10"	113	144	177	208	
12"	93	118	145	171	
14"	76	100	120	142	
16"	68	86	103	122	
18"		75	91	104	
20"		66	81	96	
22"		60	72	85	
24"			66	78	
26"			61	72	94
28"			55	65	85
30"			51	60	78
32"			47	56	73
34"				52	68
36"				48	65
38"				45	59
40"				42	55
42"				39	51
44"					47
46"					44
48"					41
50"					39

1 PSI = 27.678 H₂O

All tube diameters in inches. All pressure in PSI.

Internal Pressure

Collapsing Pressure various gauges of spiral tubing

Diam.	26 Gauge	24 Gauge	22 Gauge	20 Gauge	18 Gauge	16 Gauge
6"	220.4					
8"	69.2	121.2				
10"	34.6	110.6	691.7			
12"	22.0	55.1	249.2	1107.0		
14"	15.3	38.5	110.6	456.6		
16"	11.0	27.5	105.1	236.2		
18"	9.0	20.8	53.9	149.6		
20"	7.8	16.5	38.5	99.6		
22"	7.2	14.1	30.3	72.0		
24"	5.5	11.8	24.8	55.5		
26"	5.1	9.8	20.8	44.0	110.6	290.5
28"	4.7	8.6	18.1	35.8	88.5	243.7
30"	4.3	8.2	15.3	30.3	69.2	166.1
32"		6.6	13.7	26.3	58.2	128.7
34"				22.0	48.4	103.9
36"		5.5	11.0	20.4	42.9	85.8
38"				17.7	37.4	72.0
40"		4.3	9.8	16.5	33.0	62.2
42"			9.0	15.3	29.1	53.9
44"				13.7	26.3	47.2
46"				12.5	23.6	41.3
48"				11.8	22.0	37.4
50"				11.0	19.2	34.6
60"					14.9	24.8

.036 PSI = 1 inch H₂O

Internal negative pressure in inches of water.

These tables are given only as a courtesy. Sheet Metal Connectors is not responsible for any results listed on these charts.

