



# SHEET METAL CONNECTORS, INC.

FABRICATION THAT PERFORMS

MINNEAPOLIS, MN  
5850 Main Street N.E.  
Minneapolis, Minnesota 55432  
LOCALLY CALL: 763-572-0000  
TOLL FREE: 1-800-328-1966  
FAX: 763-572-1100

ROCKFORD, IL  
5601 Sandy Hollow Road  
Rockford, Illinois 61109  
LOCALLY CALL: 815-874-4600  
TOLL FREE: 1-866-504-4600  
FAX: 815-874-9979



[www.smduct.com](http://www.smduct.com)

## 45° Lateral Tees & Crosses with E-Z Flange

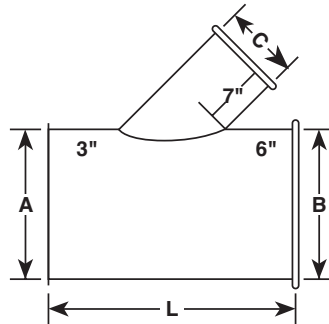
SMC spiral fittings are manufactured with an elbow lock seam, lap seam (i.e. stitch weld, riveted, tack weld or solid weld), standing seam or butt weld seam. These may be with or without duct sealant.

All fittings can be manufactured with:

- E-Z Flange Jr. with Barrel Clamp - 6" to 24" Diameter
- E-Z Flange with Barrel Clamp - 26" to 96" Diameter

### Lateral

Dimensions to be listed as follows: A, B, C  
 $L = (1.414 \times C) + 9"$



### Lateral Cross

Dimensions to be listed as follows: A, B, C, D  
 $L = 1.414 \times$   
(Larger of "C" or "D") + 9"

